

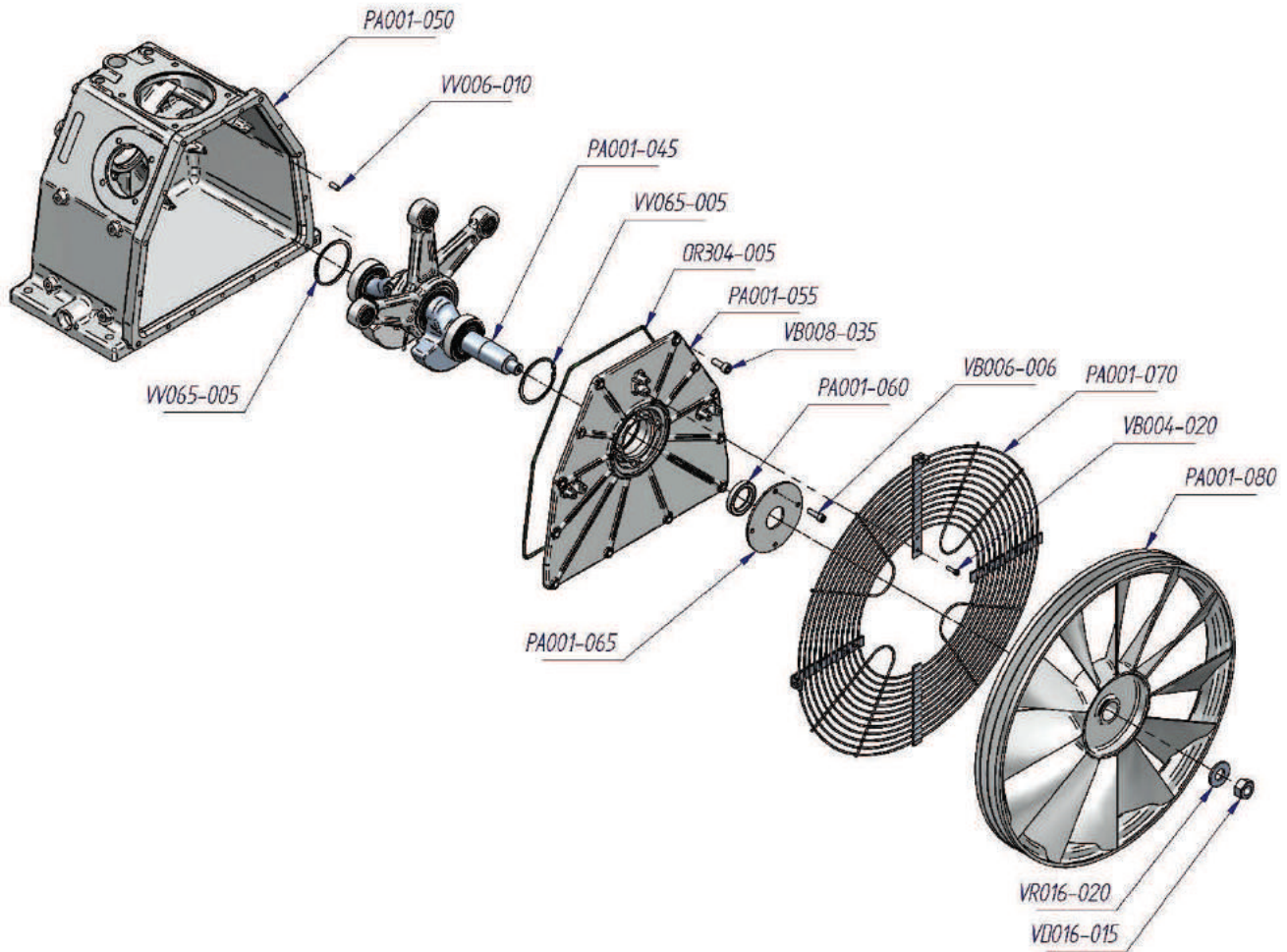
| CODE      | DESCRIPTION                         | CODE      | DESCRIPTION    | CODE      | DESCRIPTION |
|-----------|-------------------------------------|-----------|----------------|-----------|-------------|
| PA001-006 | Shaft                               | PA001-025 | Roller bearing | VD008-010 | Nut         |
| PA001-011 | Counterbalance                      | PA001-030 | Roller bearing | VR030-005 | Washer      |
| PA001-015 | Connecting rod with oil thrower pin | PA001-035 | Roller bearing | VV025-005 | Safety ring |
| PA001-020 | Connecting rod                      | VB008-030 | Screw          | VV030-005 | Safety ring |



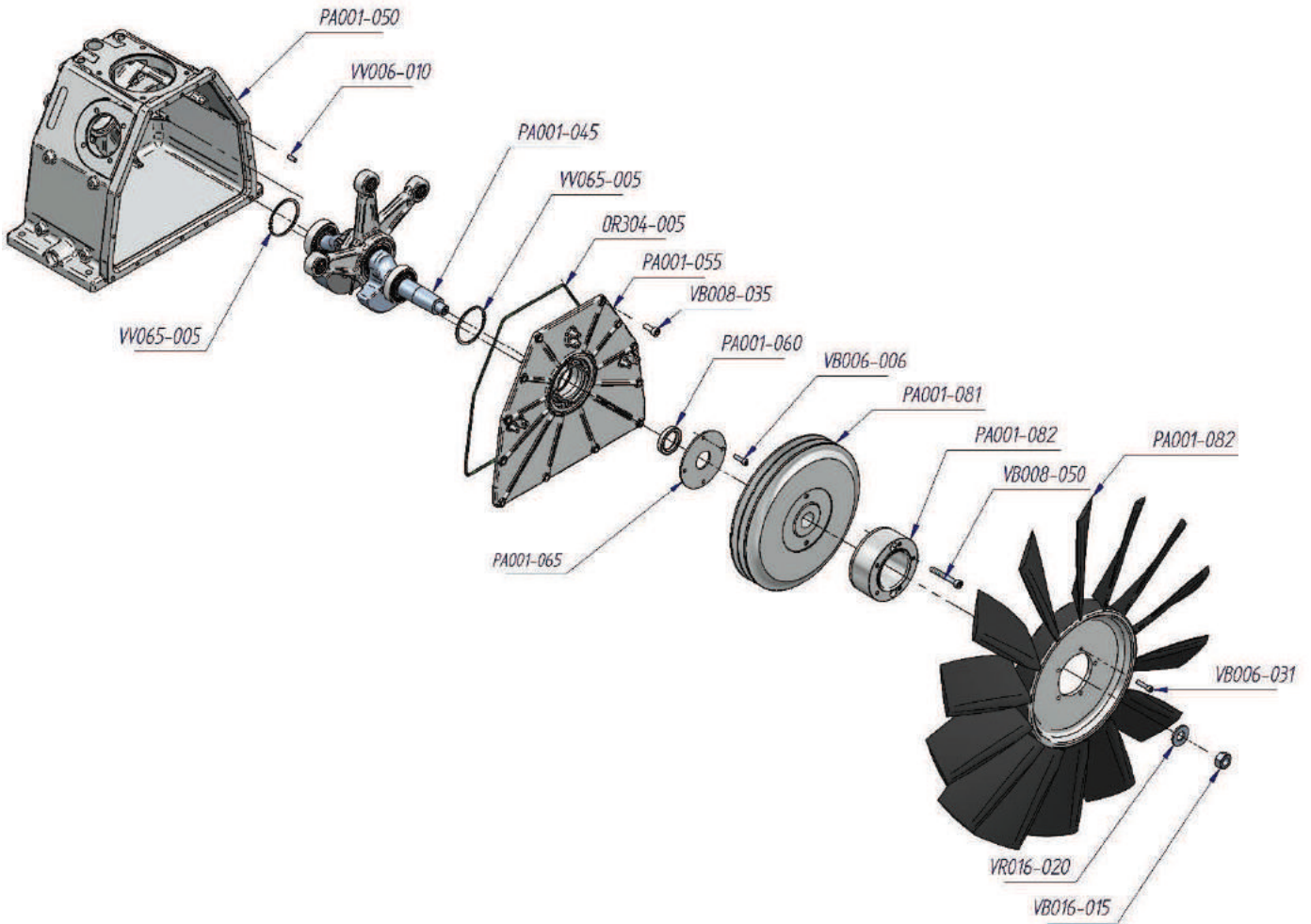
**SPARE PARTS  
PACIFIC 23**  
*Driving gear whit Crankcase*

PA001-051 Rev.00

2015 Rev. 00

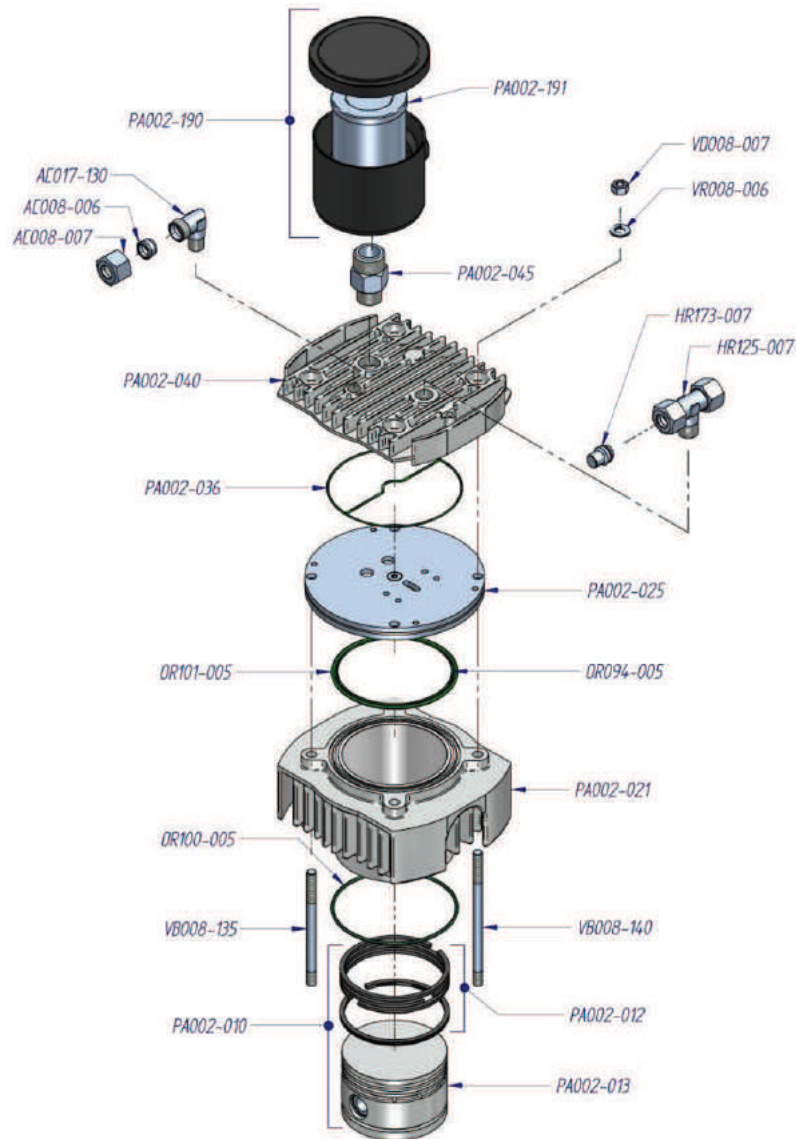


| CODE      | DESCRIPTION                      | CODE      | DESCRIPTION           | CODE      | DESCRIPTION |
|-----------|----------------------------------|-----------|-----------------------|-----------|-------------|
| OR304-005 | O-ring                           | PA001-065 | Oil seal flange       | VB008-035 | Screw       |
| PA001-045 | Shaft complete of connecting rod | PA001-070 | Metal protection      | VD016-015 | Nut         |
| PA001-050 | Compressor crankcase             | PA001-080 | Pulley-fan compressor | VR016-020 | Washer      |
| PA001-055 | Closing crankcase flange         | VB004-020 | Screw                 | VV006-010 | Pin         |
| PA001-060 | Oil seal                         | VB006-006 | Screw                 | VV065-005 | Safety ring |

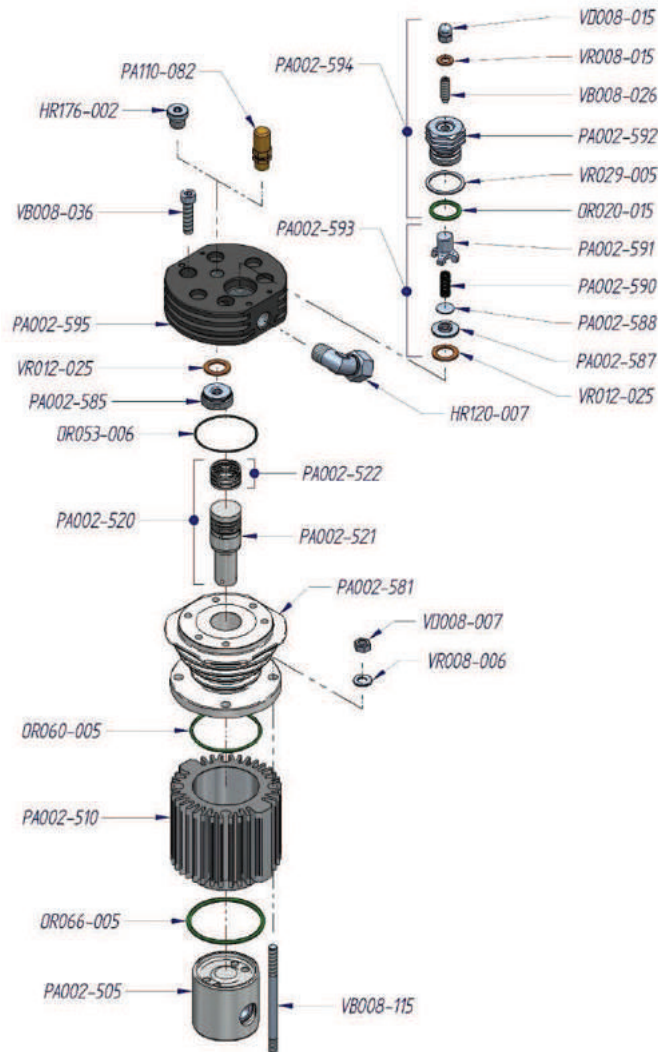


| CODE      | DESCRIPTION                      | CODE      | DESCRIPTION     | CODE      | DESCRIPTION |
|-----------|----------------------------------|-----------|-----------------|-----------|-------------|
| OR304-005 | O-ring                           | PA001-065 | Oil seal flange | VB008-035 | Screw       |
| PA001-045 | Shaft complete of connecting rod | PA001-081 | Pulley          | VD016-015 | Nut         |
| PA001-050 | Compressor crankcase             | PA001-082 | Fan             | VR016-020 | Washer      |
| PA001-055 | Closing crankcase flange         | VB006-006 | Screw           | VV006-010 | Pin         |
| PA001-060 | Oil seal                         | VB006-031 | Screw           | VV065-005 | Safety ring |

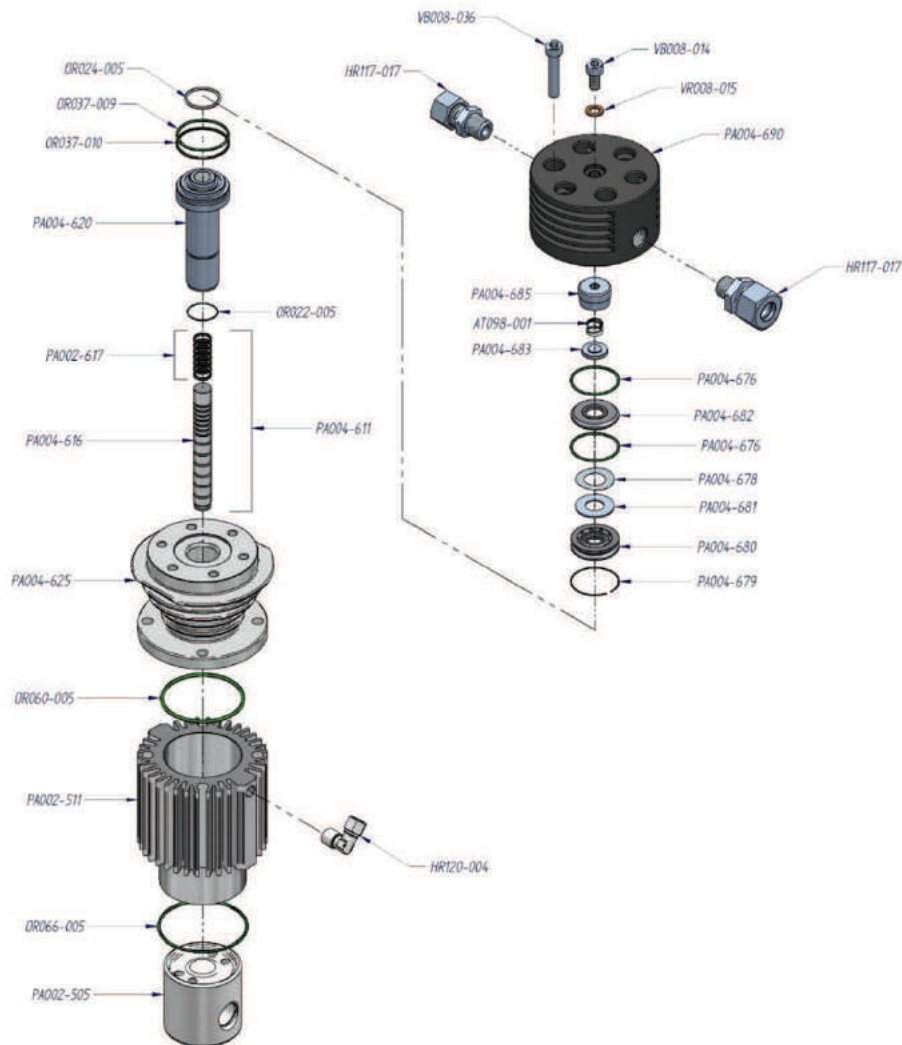




| CODE      | DESCRIPTION        | CODE      | DESCRIPTION                       | CODE      | DESCRIPTION             |
|-----------|--------------------|-----------|-----------------------------------|-----------|-------------------------|
| AC008-006 | Ogive              | PA002-010 | Complete piston                   | PA002-190 | Complete intake filter  |
| AC008-007 | Nut                | PA002-012 | Set Piston rings                  | PA002-191 | Intake filter cartridge |
| AC017-130 | Pipe fitting "L"   | PA002-013 | Piston                            | VB008-135 | Screw                   |
| HR125-007 | Pipe fitting "T"   | PA002-021 | Cylinder 1 <sup>st</sup> stage    | VB008-140 | Screw                   |
| HR173-007 | Closure connection | PA002-025 | Plate valve 1 <sup>st</sup> stage | VD008-007 | Nut                     |
| OR094-005 | O-ring             | PA002-036 | O-ring                            | VR008-006 | Washer                  |
| OR100-005 | O-ring             | PA002-040 | Head 1 <sup>st</sup> stage        |           |                         |
| OR101-005 | O-ring             | PA002-045 | Connection                        |           |                         |

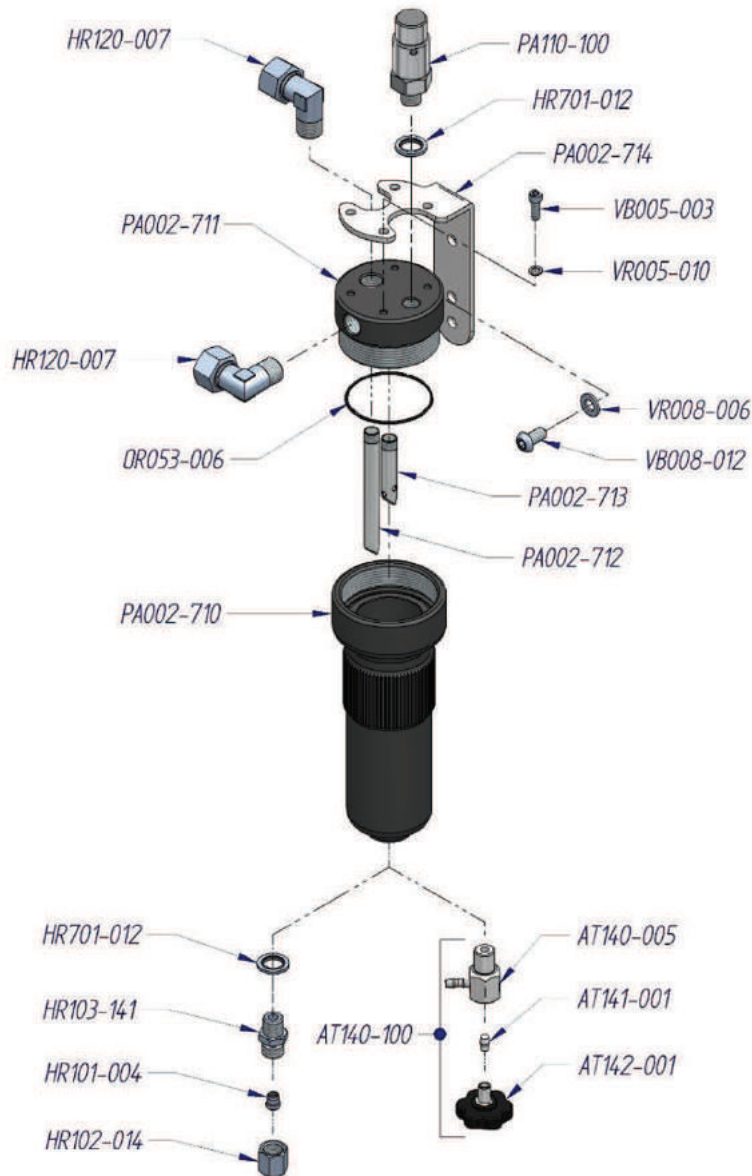


| CODE      | DESCRIPTION                | CODE      | DESCRIPTION                      | CODE      | DESCRIPTION |
|-----------|----------------------------|-----------|----------------------------------|-----------|-------------|
| HR120-007 | Pipe fitting "L"           | PA002-581 | Cylinder                         | VB008-026 | Screw       |
| HR176-002 | Closure plug               | PA002-585 | Suction valve                    | VB008-036 | Screw       |
| OR020-015 | O-ring                     | PA002-587 | Valve seat                       | VB008-115 | Screw       |
| OR053-006 | O-ring                     | PA002-588 | Valve plate                      | VD008-007 | Nut         |
| OR060-005 | O-ring                     | PA002-590 | Valve spring                     | VD008-015 | Nut         |
| OR066-005 | O-ring                     | PA002-591 | Pressure valve insert            | VR008-006 | Washer      |
| PA002-505 | Piston guide               | PA002-592 | Valve coupling                   | VR008-015 | Washer      |
| PA002-510 | Cylinder                   | PA002-593 | Pressure valve insert            | VR012-025 | Washer      |
| PA002-520 | Complete piston with rings | PA002-594 | Complete coupling pressure valve | VR029-005 | Washer      |
| PA002-521 | Piston                     | PA002-595 | Valve head                       |           |             |
| PA002-522 | Set piston rings           | PA110-082 | Safety valve                     |           |             |



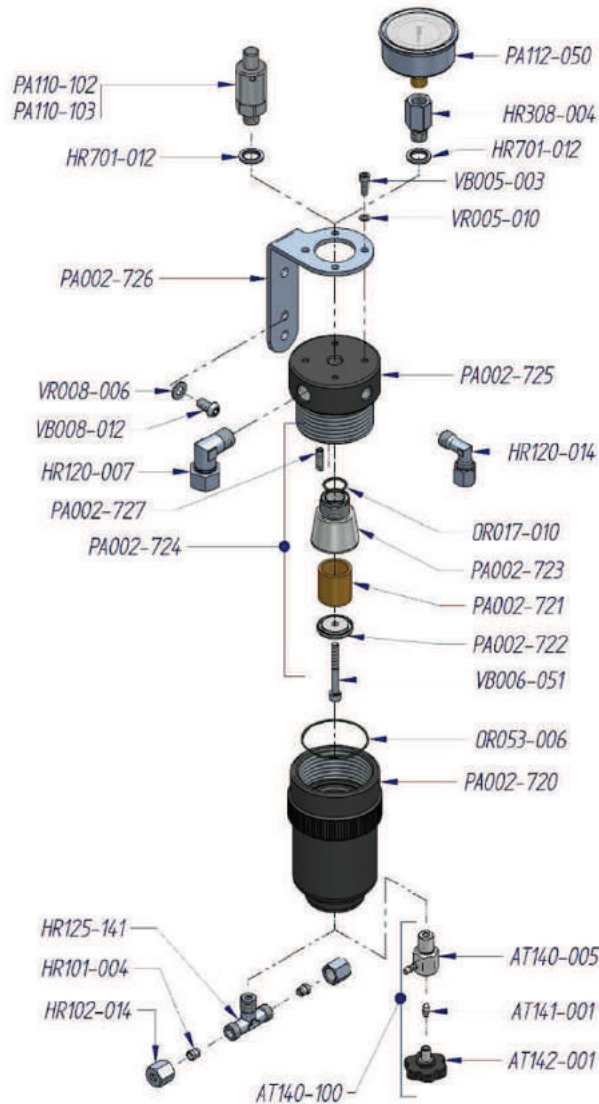
| CODE      | DESCRIPTION         | CODE      | DESCRIPTION                | CODE      | DESCRIPTION   |
|-----------|---------------------|-----------|----------------------------|-----------|---------------|
| AT098-001 | Spring              | PA004-611 | Complete piston with rings | PA004-683 | Valve top     |
| HR117-017 | Pipe fitting direct | PA004-616 | Piston                     | PA004-685 | Suction valve |
| HR120-004 | Pipe fitting "L"    | PA002-617 | Set piston rings           | PA004-690 | Valve head    |
| OR037-009 | O-ring              | PA004-620 | Cylinder's pipe            | VB008-014 | Screw         |
| OR037-010 | O-ring              | PA004-625 | Cylinder                   | VB008-036 | Screw         |
| OR022-005 | O-ring              | PA004-680 | Coupling pressure valve    | VR008-015 | Washer        |
| OR024-005 | O-ring              | PA004-681 | Pressure valve             |           |               |
| OR060-005 | O-ring              | PA004-682 | Top valve                  |           |               |
| OR066-005 | O-ring              | PA004-676 | Special O-Ring             |           |               |
| PA002-505 | Piston guide        | PA004-678 | Special spring             |           |               |
| PA002-511 | Cylinder            | PA004-679 | Setger valve               |           |               |

|  |  |                  |
|--|--|------------------|
|  | <b>SPARE PARTS<br/>PACIFIC 23<br/>Separator 2<sup>nd</sup> STAGE</b> | PA002-205 Rev.00 |
|  |  | 2015 Rev. 00     |

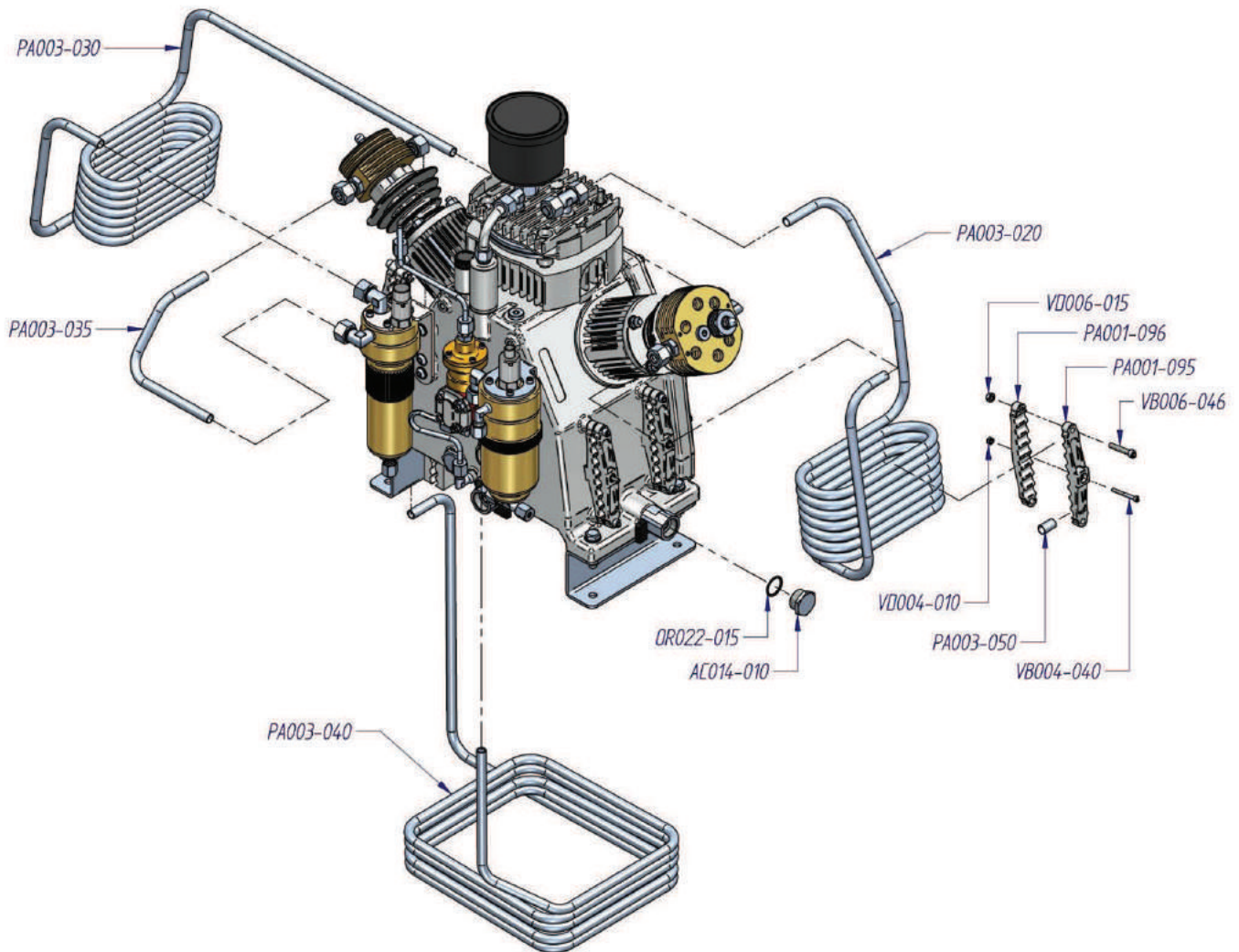


| CODE      | DESCRIPTION                     | CODE      | DESCRIPTION           | CODE      | DESCRIPTION              |
|-----------|---------------------------------|-----------|-----------------------|-----------|--------------------------|
| AT140-005 | Body drain valve complete       | HR120-007 | Pipe fitting "L"      | PA002-714 | Support filter separator |
| AT140-100 | Condensate drain valve complete | HR701-012 | Washer gasket         | PA110-100 | Safety valve             |
| AT141-001 | Rilsan nut                      | OR053-006 | O-ring                | VB004-021 | Screw                    |
| AT142-001 | Black screw of discharge        | PA002-710 | Body filter separator | VB008-012 | Screw                    |
| HR101-004 | Oqive                           | PA002-711 | Head filter separator | VR004-010 | Washer                   |
| HR102-014 | Nut fitting pipe                | PA002-712 | Tube separator        | VR008-006 | Washer                   |
| HR103-141 | Body pipe fitting               | PA002-713 | Tube separator        |           |                          |

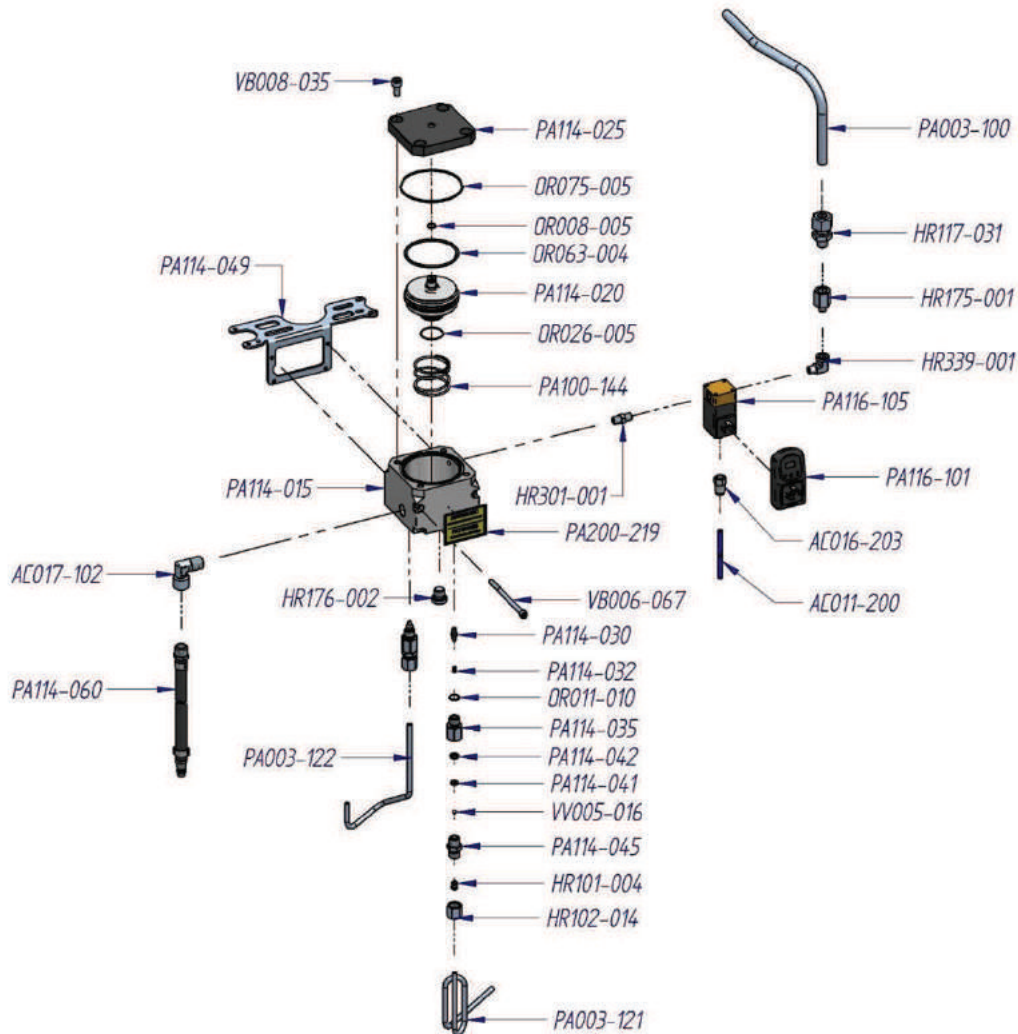




| CODE      | DESCRIPTION                     | CODE      | DESCRIPTION                         | CODE      | DESCRIPTION             |
|-----------|---------------------------------|-----------|-------------------------------------|-----------|-------------------------|
| AT140-005 | Body drain valve complete       | OR017-010 | O-ring                              | PA110-103 | Safety valve PN 300 bar |
| AT140-100 | Condensate drain valve complete | OR053-006 | O-ring                              | PA112-050 | Manometer               |
| AT141-001 | Rilsan nut                      | PA002-720 | Body filter separator               | VB005-003 | Screw                   |
| AT142-001 | Black screw of discharge        | PA002-721 | Sintered filter                     | VB006-051 | Screw                   |
| HR101-004 | Ogive                           | PA002-722 | Flange                              | VB008-012 | Screw                   |
| HR102-014 | Nut filling pipe                | PA002-723 | Flange                              | VR005-010 | Washer                  |
| HR120-007 | Pipe fitting "L"                | PA002-724 | Complete filter separator cartridge | VR008-006 | Washer                  |
| HR120-014 | Pipe fitting "L"                | PA002-725 | Head filter separator               |           |                         |
| HR125-141 | Body pipe fitting "T"           | PA002-726 | Support filter separator            |           |                         |
| HR308-004 | Connection                      | PA002-727 | Tube separator                      |           |                         |
| HR701-012 | Washer gasket                   | PA110-102 | Safety valve PN 200 bar             |           |                         |

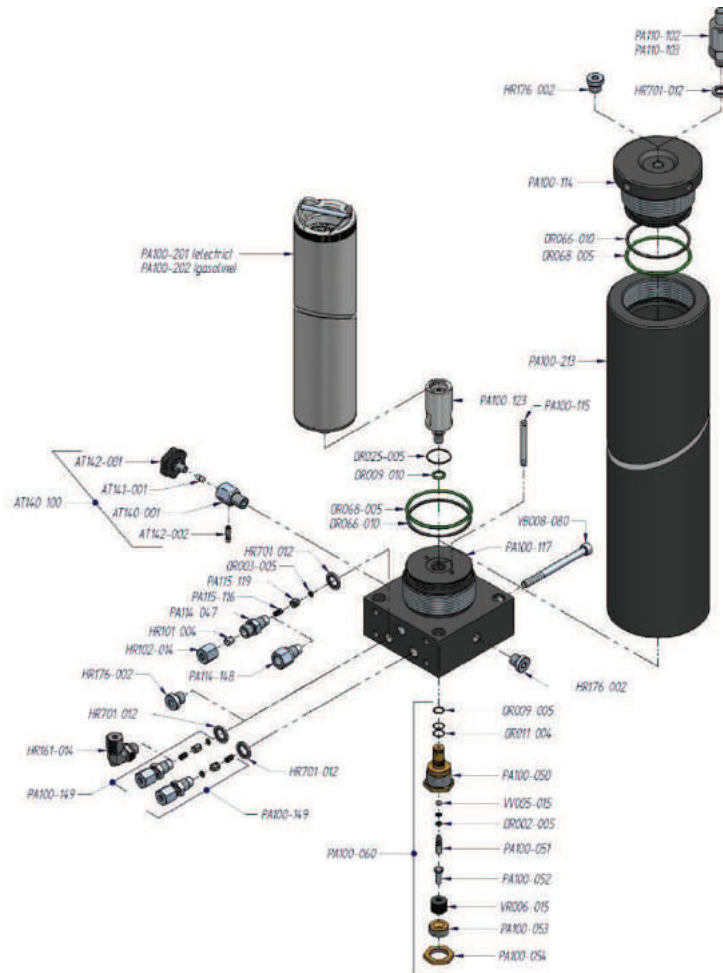


| CODE      | DESCRIPTION       | CODE      | DESCRIPTION     | CODE      | DESCRIPTION |
|-----------|-------------------|-----------|-----------------|-----------|-------------|
| AC014-010 | Nut               | PA003-030 | Inter cooler    | VB006-046 | Screw       |
| OR022-015 | O-ring            | PA003-035 | Connecting tube | VD004-010 | Nut         |
| PA001-095 | Fixing for cooler | PA003-040 | Inter cooler    | VD006-015 | Nut         |
| PA001-096 | Fixing for cooler | PA003-050 | Tube            |           |             |
| PA003-020 | Inter cooler      | VB004-040 | Screw           |           |             |

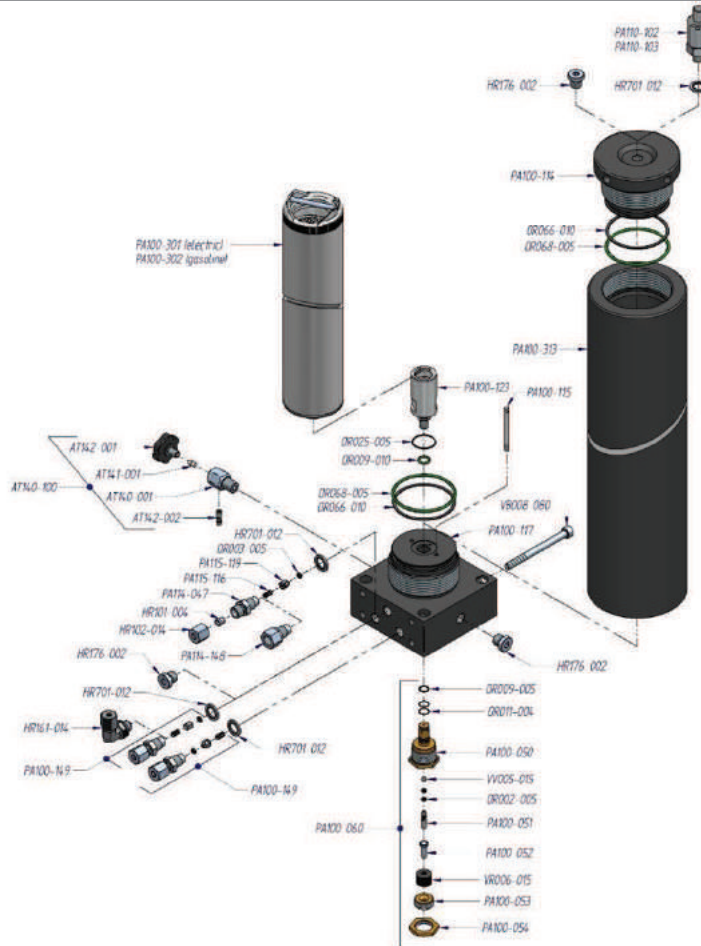


| CODE      | DESCRIPTION      | CODE      | DESCRIPTION        | CODE      | DESCRIPTION                              |
|-----------|------------------|-----------|--------------------|-----------|--|
| AC011-200 | Rilsan tube      | OR011-010 | O-ring             | PA114-030 | Piston                                   |
| AC016-203 | Connection       | OR026-005 | O-ring             | PA114-032 | Spring                                   |
| AC017-102 | Pipe fitting "L" | OR063-004 | O-ring             | PA114-035 | Drain valve connection                   |
| HR101-004 | Ogive            | OR075-005 | O-ring             | PA114-041 | Sealing Ring                             |
| HR102-014 | Nut fitting pipe | PA003-100 | Tube               | PA114-042 | Reducer                                  |
| HR117-031 | Pipe fitting     | PA003-121 | Tube               | PA114-045 | Connection INOX                          |
| HR175-001 | Connection       | PA003-122 | Tube               | PA114-049 | Support condensate drain                 |
| HR176-002 | Closure plug     | PA110-010 | Spring             | PA114-060 | Hose with fittings for collecting vessel |
| HR301-001 | Nipple           | PA114-015 | Drain valve body   | PA116-101 | Timer                                    |
| HR339-001 | Connection "L"   | PA114-020 | Drain valve piston | PA116-105 | Solenoid valve 12 Volt DC                |
| OR008-005 | O-ring           | PA114-025 | Top flange         | VV005-016 | Sphere                                   |



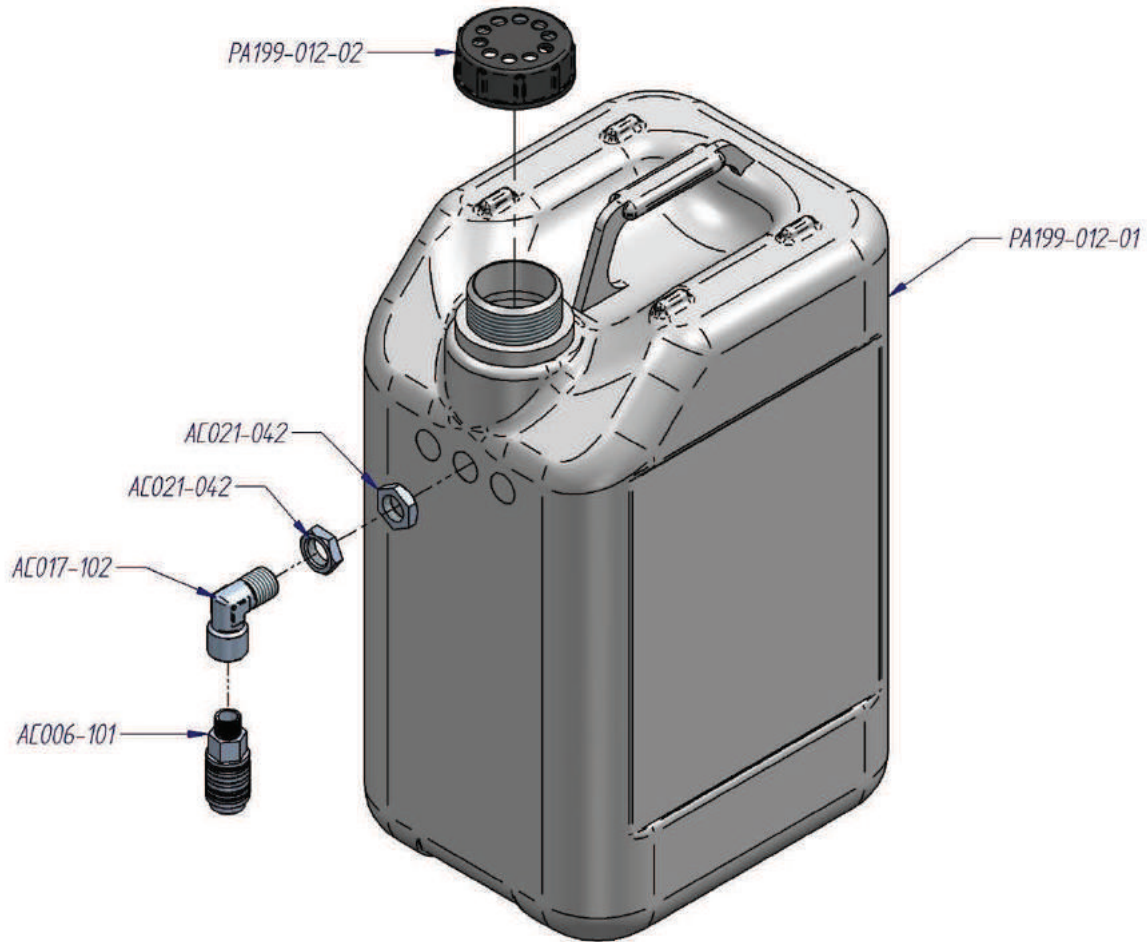


| CODE      | DESCRIPTION                     | CODE      | DESCRIPTION                 | CODE      | DESCRIPTION                        |
|-----------|---------------------------------|-----------|-----------------------------|-----------|------------------------------------|
| AT140-001 | Drain valve housing             | OR025-005 | O-ring                      | PA100-123 | Extension filter                   |
| AT140-100 | Condensate drain valve complete | OR066-010 | O-ring                      | PA100-149 | Pipe fitting whit not return valve |
| AT141-001 | Rilsan nut                      | OR068-005 | O-ring                      | PA110-102 | Safety valve PN 200 bar            |
| AT142-001 | Black screw of discharge        | PA100-050 | Maintaining valve insert    | PA110-103 | Safety valve PN 300 bar            |
| AT142-002 | Drain out                       | PA100-051 | Piston maintaining valve    | PA114-047 | Connection                         |
| HR101-004 | Ogive                           | PA100-052 | Spring guide                | PA114-148 | Connection                         |
| HR102-014 | Nut fitting pipe                | PA100-053 | Closure plug                | PA115-116 | Spring no return valve             |
| HR161-014 | Pipe fitting "L"                | PA100-054 | Nut                         | PA115-119 | Piston no return valve             |
| HR176-002 | Closure plug                    | PA100-060 | Maintaining valve complete  | VB008-080 | Screw                              |
| HR701-012 | Washer                          | PA100-201 | Filter cartridge - electric | VR006-015 | Washer spring                      |
| OR002-005 | O-ring                          | PA100-202 | Filter cartridge - gasoline | VV005-015 | Sphere                             |
| OR003-005 | O-ring                          | PA100-213 | Filter housing              |           |                                    |
| OR009-005 | O-ring                          | PA100-114 | Head filter housing         |           |                                    |
| OR009-010 | O-ring                          | PA100-115 | Nozzle                      |           |                                    |
| OR011-004 | O-ring                          | PA100-117 | Base filter                 |           |                                    |

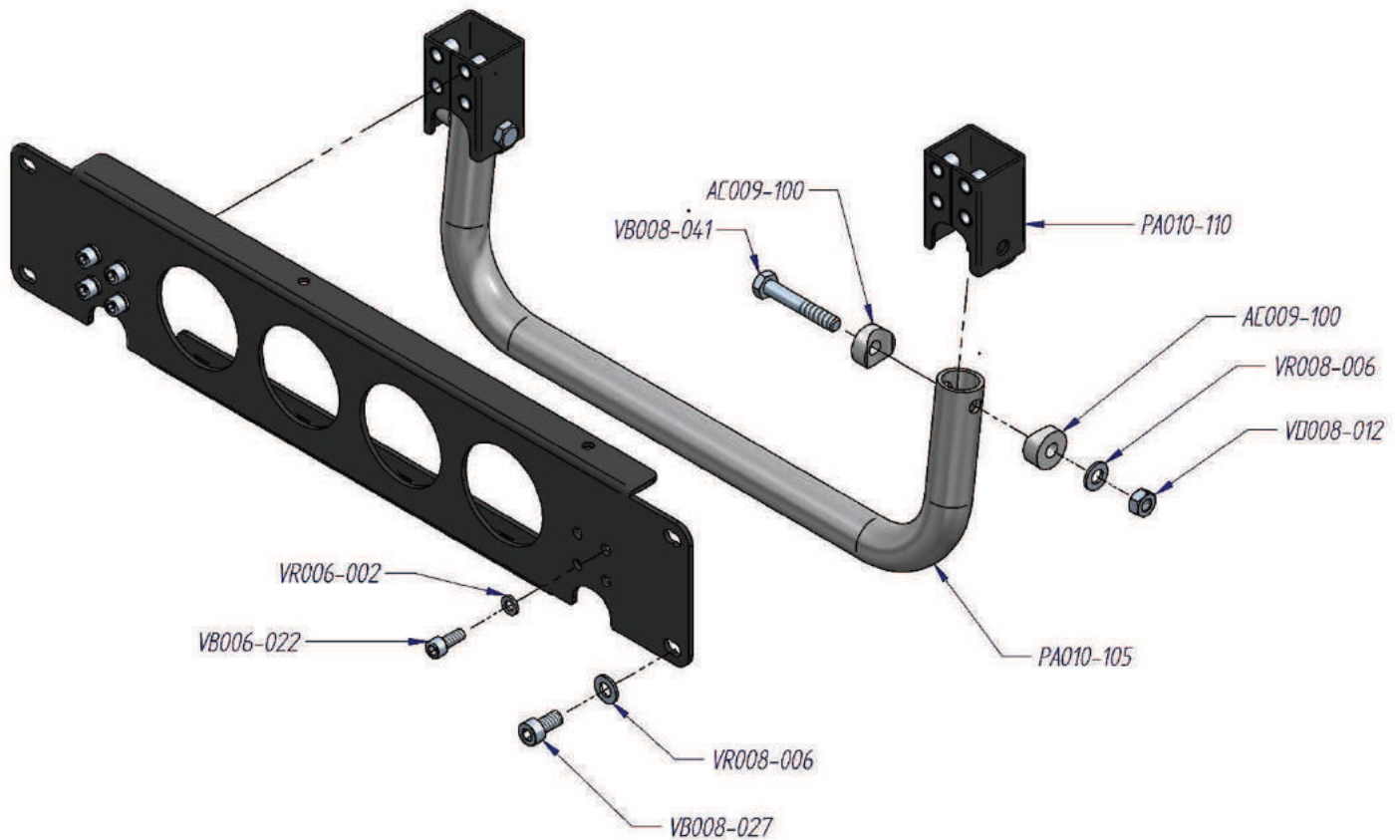


| CODE      | DESCRIPTION                     | CODE      | DESCRIPTION                 | CODE      | DESCRIPTION                        |
|-----------|---------------------------------|-----------|-----------------------------|-----------|------------------------------------|
| AT140-001 | Drain valve housing             | OR025-005 | O-ring                      | PA100-123 | Extension filter                   |
| AT140-100 | Condensate drain valve complete | OR066-010 | O-ring                      | PA100-149 | Pipe fitting whit not return valve |
| AT141-001 | Rilsan nut                      | OR068-005 | O-ring                      | PA110-102 | Safety valve PN 200 bar            |
| AT142-001 | Black screw of discharge        | PA100-050 | Maintaining valve insert    | PA110-103 | Safety valve PN 300 bar            |
| AT142-002 | Drain out                       | PA100-051 | Piston maintaining valve    | PA114-047 | Connection                         |
| HR101-004 | Ogive                           | PA100-052 | Spring guide                | PA114-148 | Connection                         |
| HR102-014 | Nut fitting pipe                | PA100-053 | Closure plug                | PA115-116 | Spring no return valve             |
| HR161-014 | Pipe fitting "L"                | PA100-054 | Nut                         | PA115-119 | Piston no return valve             |
| HR176-002 | Closure plug                    | PA100-060 | Maintaining valve complete  | VB008-080 | Screw                              |
| HR701-012 | Washer                          | PA100-301 | Filter cartridge - electric | VR006-015 | Washer spring                      |
| OR002-005 | O-ring                          | PA100-302 | Filter cartridge - gasoline | VV005-015 | Sphere                             |
| OR003-005 | O-ring                          | PA100-313 | Filter housing              |           |                                    |
| OR009-005 | O-ring                          | PA100-114 | Head filter housing         |           |                                    |
| OR009-010 | O-ring                          | PA100-115 | Nozzle                      |           |                                    |
| OR011-004 | O-ring                          | PA100-117 | Base filter                 |           |                                    |

|  |  |                  |
|--|--|------------------|
|  | <p align="center"><b>SPARE PARTS</b><br/> <b>PACIFIC E-P-EG-PG-M-DY</b><br/> <i>Eco-friendly condensate tank</i></p> | PA199-101 Rev.00 |
|  |  | 2015 Rev. 00     |



| CODE      | DESCRIPTION       | CODE         | DESCRIPTION | CODE         | DESCRIPTION |
|-----------|-------------------|--------------|-------------|--------------|-------------|
| AC006-101 | Universal Coupler | AC021-042    | Nut         | PA199-012-02 | Cover       |
| AC017-102 | Pipe fitting "L"  | PA199-012-01 | Tank        |              |             |



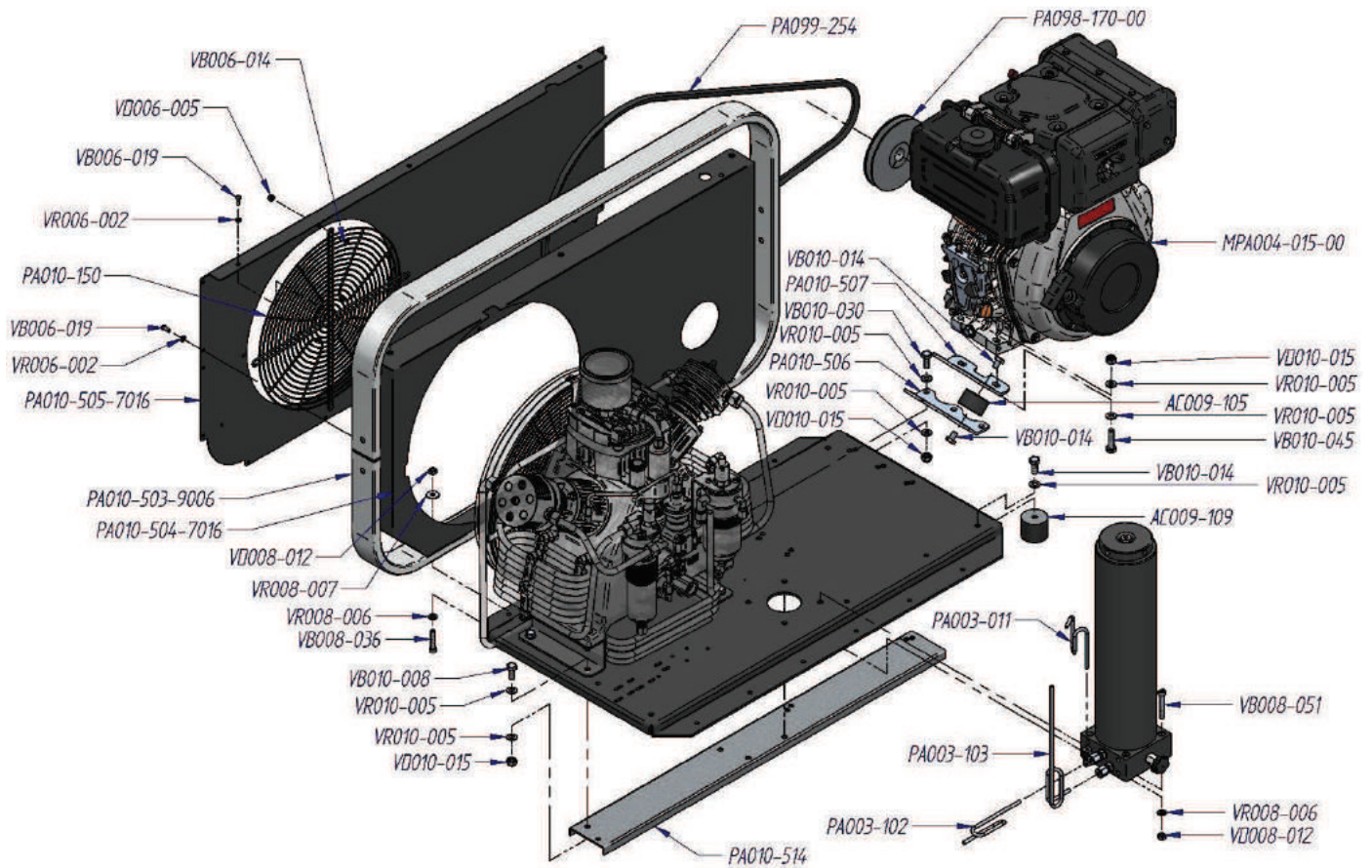
| CODE      | DESCRIPTION | CODE      | DESCRIPTION | CODE      | DESCRIPTION |
|-----------|-------------|-----------|-------------|-----------|-------------|
| AC009-100 | Flange      | VB008-027 | Screw       | VR008-006 | Washer      |
| PA010-105 | Handle      | VB008-041 | Screw       |           |             |
| PA010-110 | Support     | VD008-012 | Nut         |           |             |
| VB006-022 | Screw       | VR006-002 | Washer      |           |             |



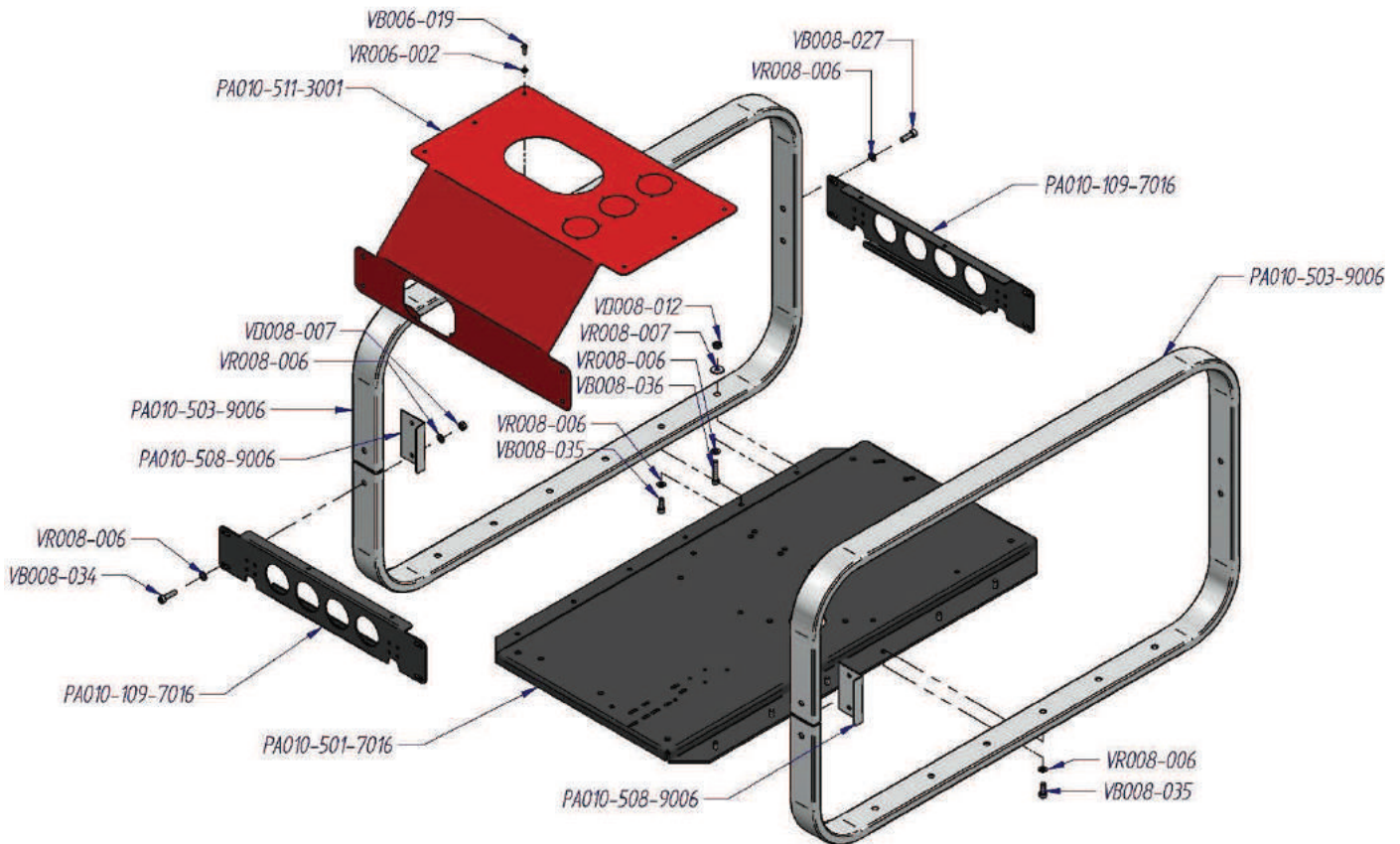
**SPARE PARTS  
PACIFIC DY 23  
Frame and Engine**

PA203-230 Rev.00

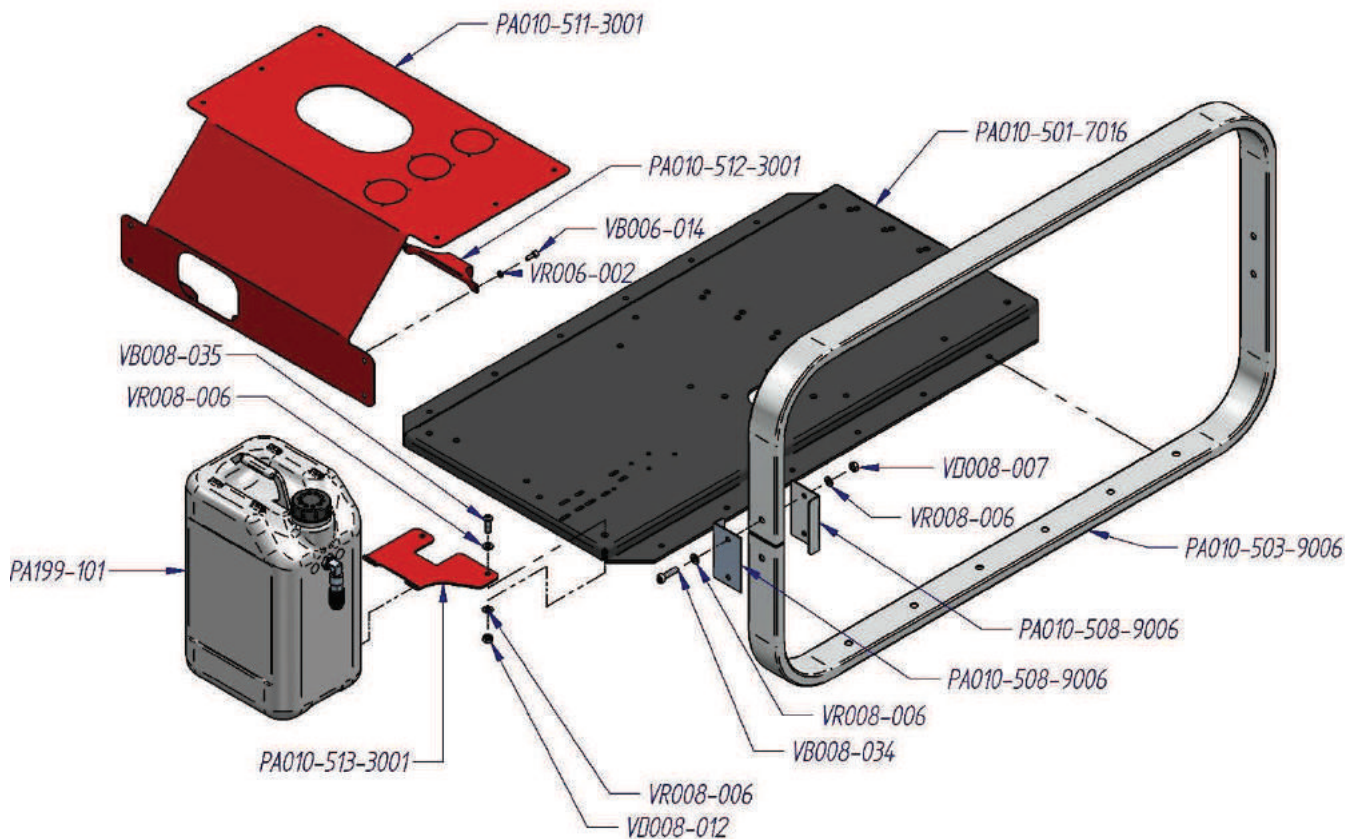
2015 Rev. 00



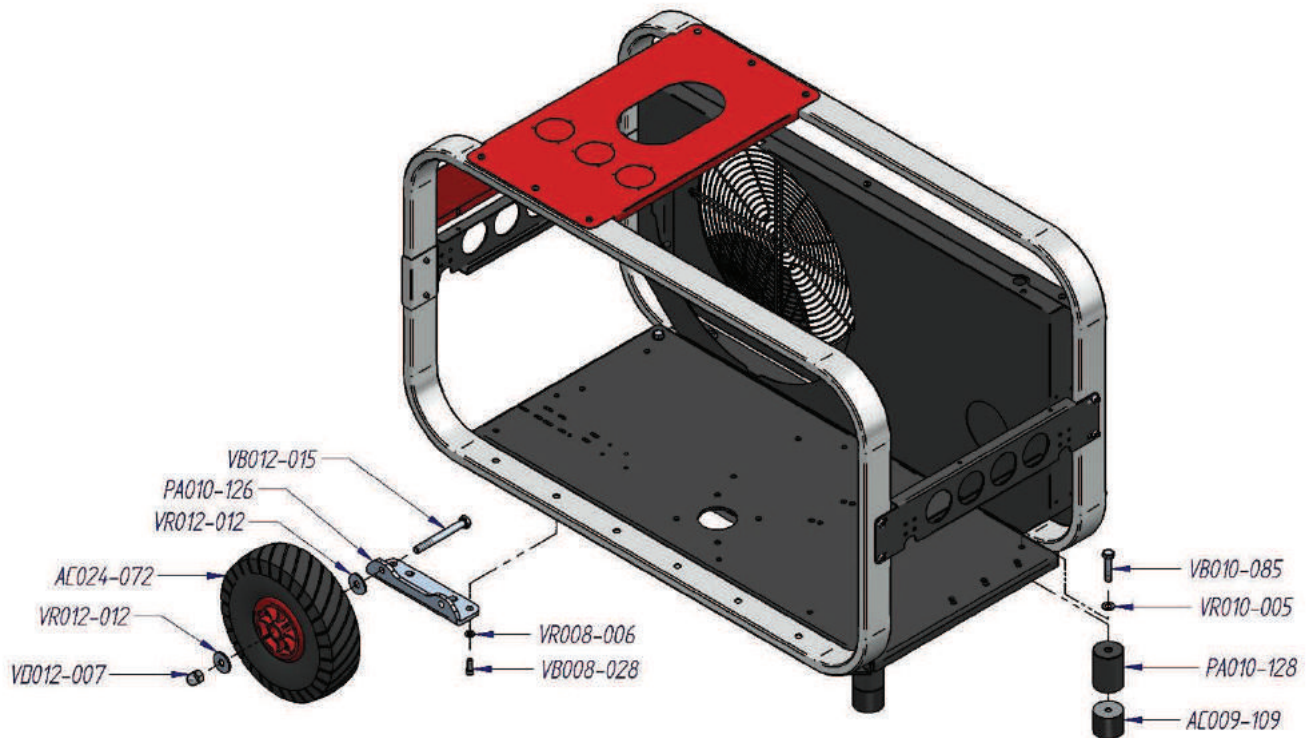
| CODE           | DESCRIPTION      | CODE         | DESCRIPTION | CODE      | DESCRIPTION |
|----------------|------------------|--------------|-------------|-----------|-------------|
| AC009-105      | Antivibration    | PA010-506    | Support     | VB010-014 | Screw       |
| AC009-109      | Plug whit thread | PA010-507    | Support     | VB010-030 | Screw       |
| MPA004-015-00  | Engine diesel    | PA010-514    | Frame       | VD006-005 | Nut         |
| PA003-011      | Tube             | PA098-170-00 | Pulley      | VD008-012 | Nut         |
| PA003-102      | Tube             | PA099-254    | Belt        | VD010-015 | Nut         |
| PA003-103      | Tube             | VB006-014    | Screw       | VR006-002 | Washer      |
| PA010-150      | Metal protection | VB006-019    | Screw       | VR008-006 | Washer      |
| PA010-503-9006 | Frame            | VB008-036    | Screw       | VR008-007 | Washer      |
| PA010-504-7016 | Metal Cover fan  | VB008-051    | Screw       | VR010-005 | Washer      |
| PA010-505-7016 | Metal Cover fan  | VB010-008    | Screw       |           |             |



| CODE           | DESCRIPTION | CODE      | DESCRIPTION | CODE      | DESCRIPTION |
|----------------|-------------|-----------|-------------|-----------|-------------|
| PA010-109-7016 | Frame       | VB006-019 | Screw       | VR006-002 | Washer      |
| PA010-501-7016 | Frame       | VB008-027 | Screw       | VR008-006 | Washer      |
| PA010-503-9006 | Frame       | VB008-034 | Screw       |           |             |
| PA010-508-9006 | Frame       | VB008-035 | Screw       |           |             |
| PA010-511-3001 | Frame       | VD008-007 | Nut         |           |             |

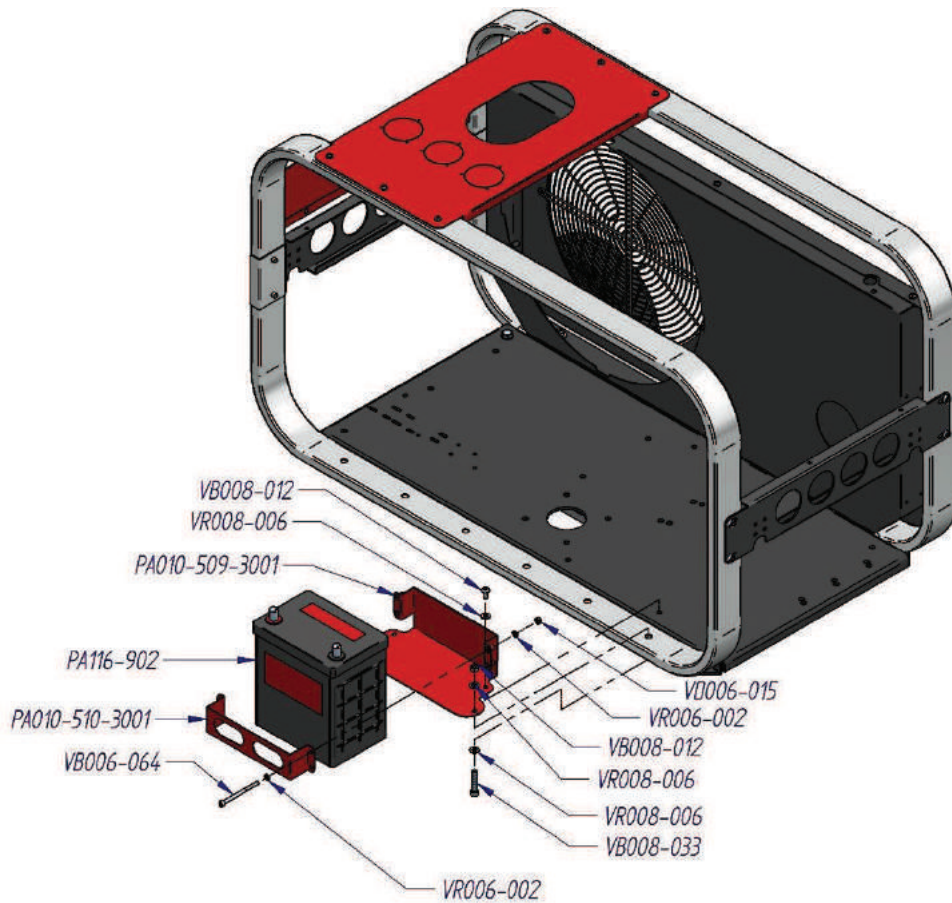


| CODE           | DESCRIPTION | CODE           | DESCRIPTION         | CODE      | DESCRIPTION |
|----------------|-------------|----------------|---------------------|-----------|-------------|
| PA010-109-7016 | Frame       | PA010-513-3001 | Frame               | VD008-012 | Nut         |
| PA010-501-7016 | Frame       | PA199-101      | Eco-friendly – Tank | VR006-002 | Washer      |
| PA010-503-9006 | Frame       | VB006-014      | Screw               | VR008-006 | Washer      |
| PA010-508-9006 | Frame       | VB008-034      | Screw               |           |             |
| PA010-511-3001 | Frame       | VB008-035      | Screw               |           |             |
| PA010-512-3001 | Frame       | VD008-007      | Nut                 |           |             |

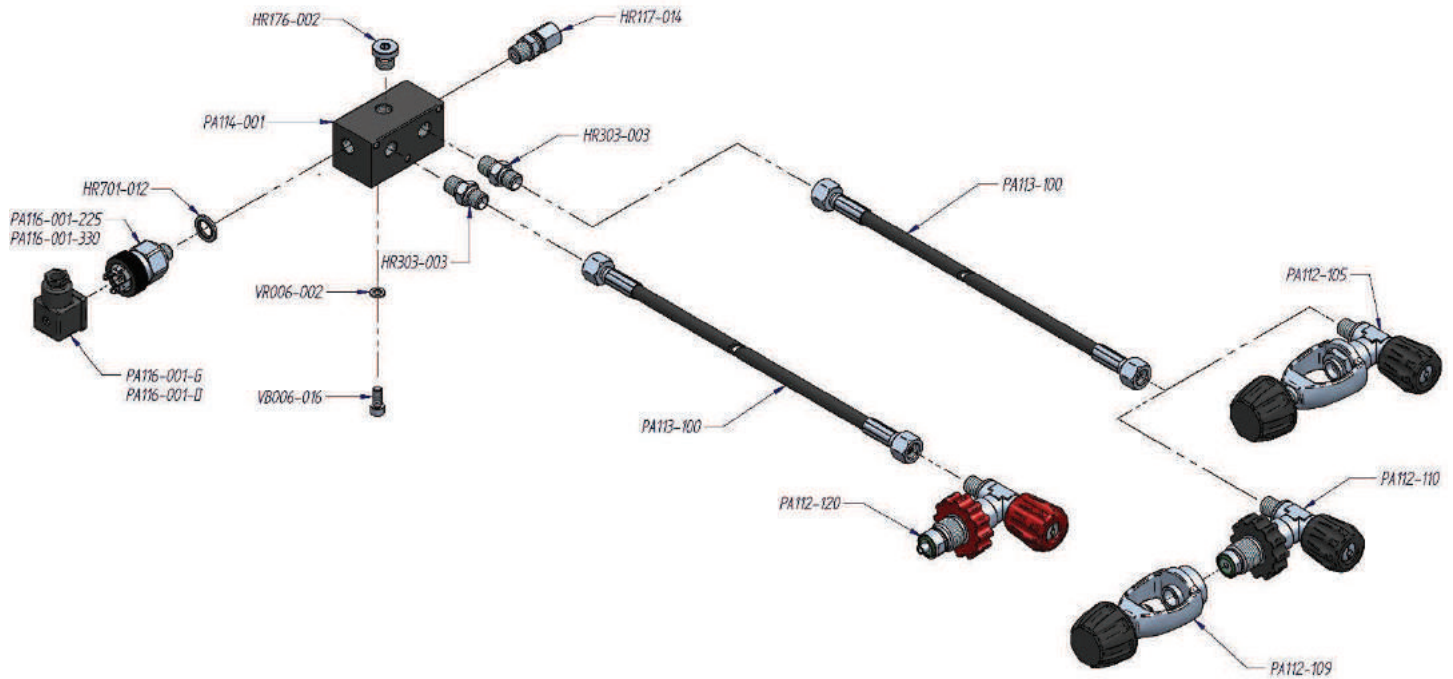


| CODE      | DESCRIPTION      | CODE      | DESCRIPTION | CODE      | DESCRIPTION |
|-----------|------------------|-----------|-------------|-----------|-------------|
| AC009-109 | Plug with thread | VB008-028 | Screw       | VR008-006 | Washer      |
| AC024-072 | Wheel            | VB010-085 | Screw       | VR010-005 | Washer      |
| PA010-126 | Support          | VB012-015 | Screw       | VR012-012 | Washer      |
| PA010-128 | Washer           | VD012-007 | Nut         |           |             |

|  |   |                  |
|--|---|------------------|
|  | <b>SPARE PARTS<br/>PACIFIC DY<br/>Battery</b> | PA203-403 Rev.00 |
|  |   | 2015 Rev. 00     |

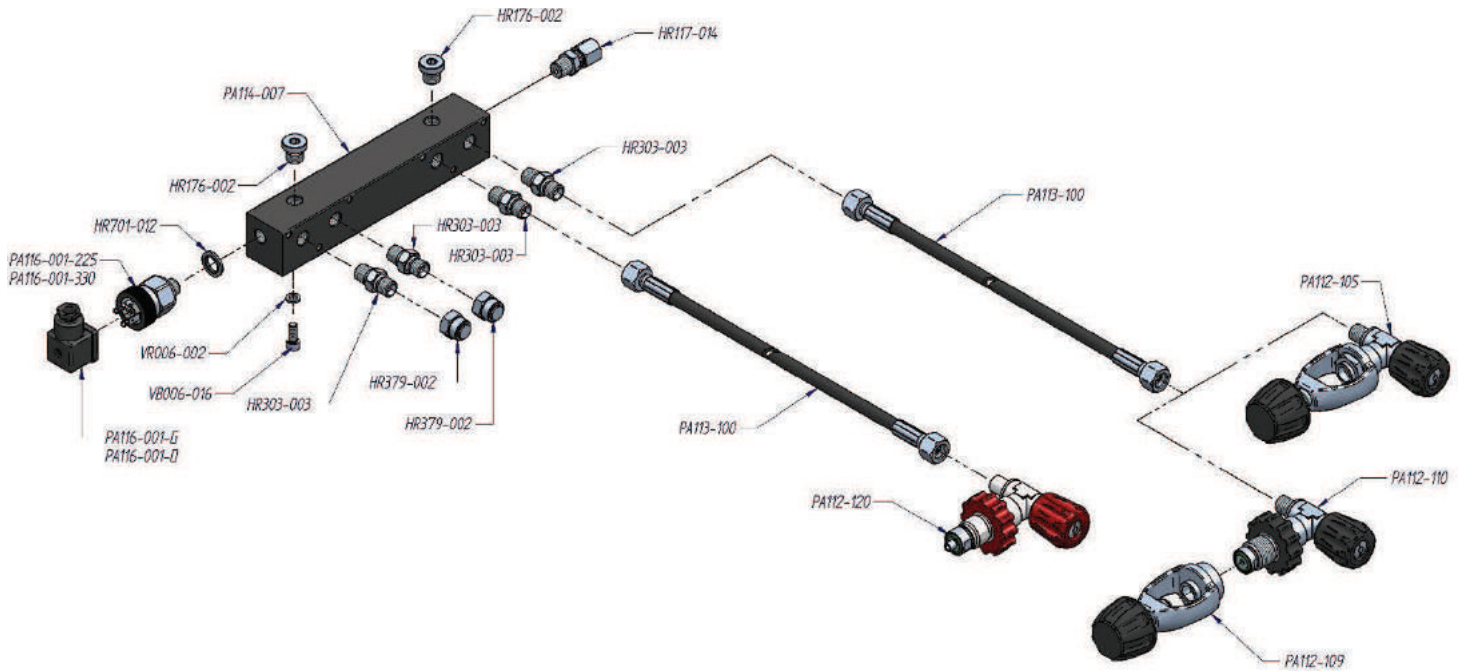


| CODE           | DESCRIPTION | CODE      | DESCRIPTION | CODE      | DESCRIPTION |
|----------------|-------------|-----------|-------------|-----------|-------------|
| PA010-509-3001 | Frame       | VB006-015 | Screw       | VD006-015 | Nut         |
| PA010-510-3001 | Frame       | VB006-064 | Screw       | VR006-002 | Washer      |
| PA116-902      | Frame       | VB008-012 | Screw       | VR008-006 | Washer      |
| PA010-152      | Frame       | VB008-033 | Screw       | VR008-012 | Washer      |

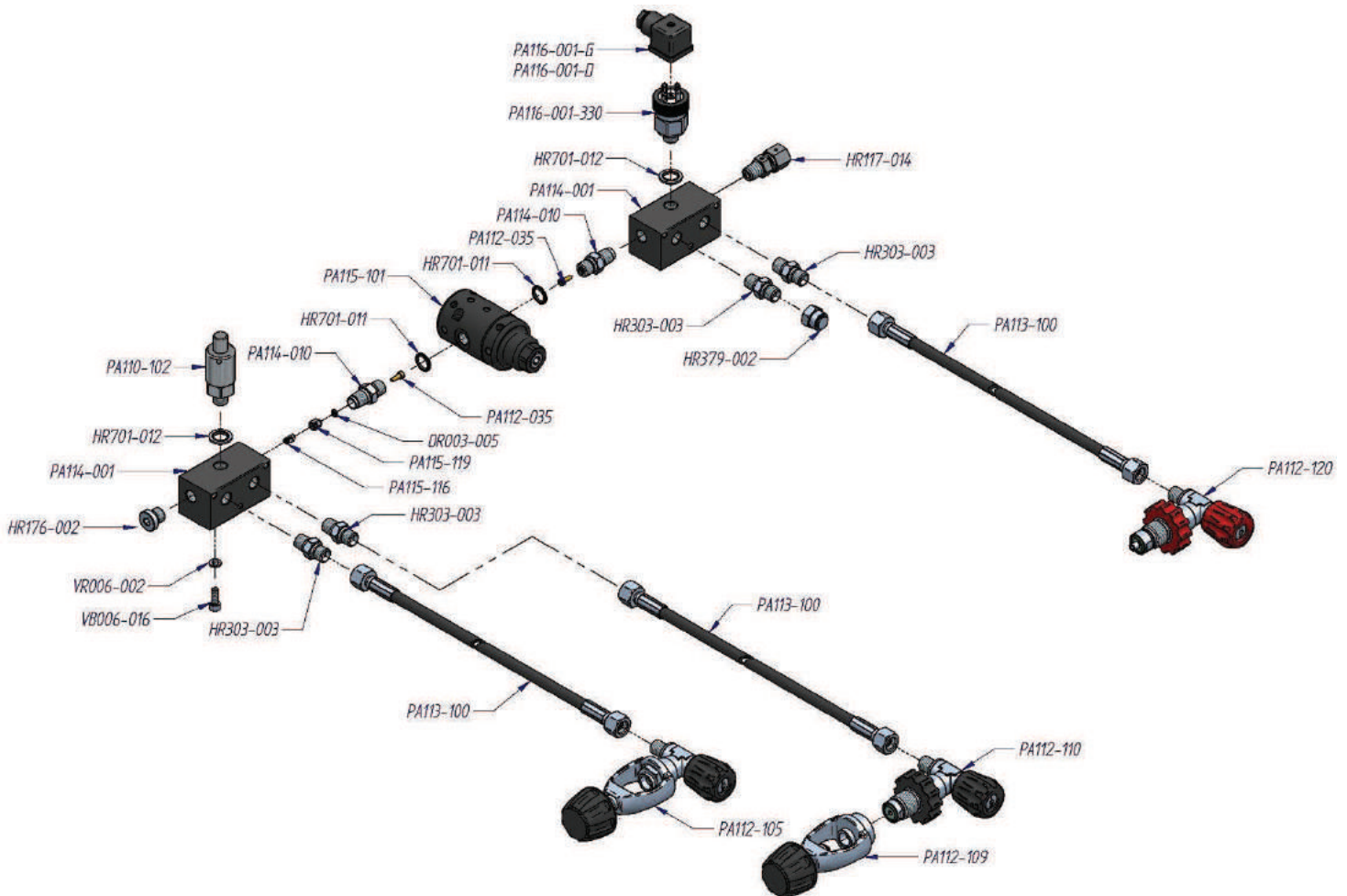


| CODE      | DESCRIPTION                              | CODE      | DESCRIPTION           | CODE          | DESCRIPTION                       |
|-----------|--|-----------|-----------------------|---------------|-----------------------------------|
| HR117-014 | Pipe fitting                             | PA112-105 | Fitting valve INT 200 | PA116-001-225 | Pressure swich 225 bar            |
| HR176-002 | Clousing plug                            | PA112-110 | Fitting valve DIN 200 | PA116-001-330 | Pressure swich 225 bar            |
| HR303-003 | Connection                               | PA112-120 | Fitting valve DIN 300 | PA116-001-D   | Connector with cable for Diesel   |
| HR701-012 | Washer                                   | PA113-100 | Fitting hose          | PA116-001-G   | Connector with cable for Gasoline |
| PA112-109 | Adapter DIN 200 / INT-CGA 200 Bar - YOKE | PA114-001 | Distridutor 2 exit    | VB006-016     | Screw                             |

|  |  |                  |
|--|--|------------------|
|  | <b>SPARE PARTS</b><br><b>PACIFIC EG - PG - DY</b><br><i>Fitting and connection</i> | PA202-024 Rev.00 |
|  |  | 2015 Rev. 00     |



| CODE      | DESCRIPTION                              | CODE          | DESCRIPTION            | CODE          | DESCRIPTION                       |
|-----------|--|---------------|------------------------|---------------|-----------------------------------|
| HR117-014 | Pipe fitting                             | PA112-105     | Fitting valve INT 200  | PA116-001-330 | Pressure swich 225 bar            |
| HR176-002 | Closing plug                             | PA112-110     | Fitting valve DIN 200  | PA116-001-D   | Connector with cable for Gasoline |
| HR303-003 | Connection                               | PA112-120     | Fitting valve DIN 300  | PA116-001-G   | Connector with cable for Diesel   |
| HR379-002 | Closing plug                             | PA113-100     | Fitting hose           | VB006-016     | Screw                             |
| HR701-012 | Washer                                   | PA114-007     | Distridutor 4 exit     |               |                                   |
| PA112-109 | Adapter DIN 200 / INT-CGA 200 Bar - YOKE | PA116-001-225 | Pressure swich 225 bar |               |                                   |



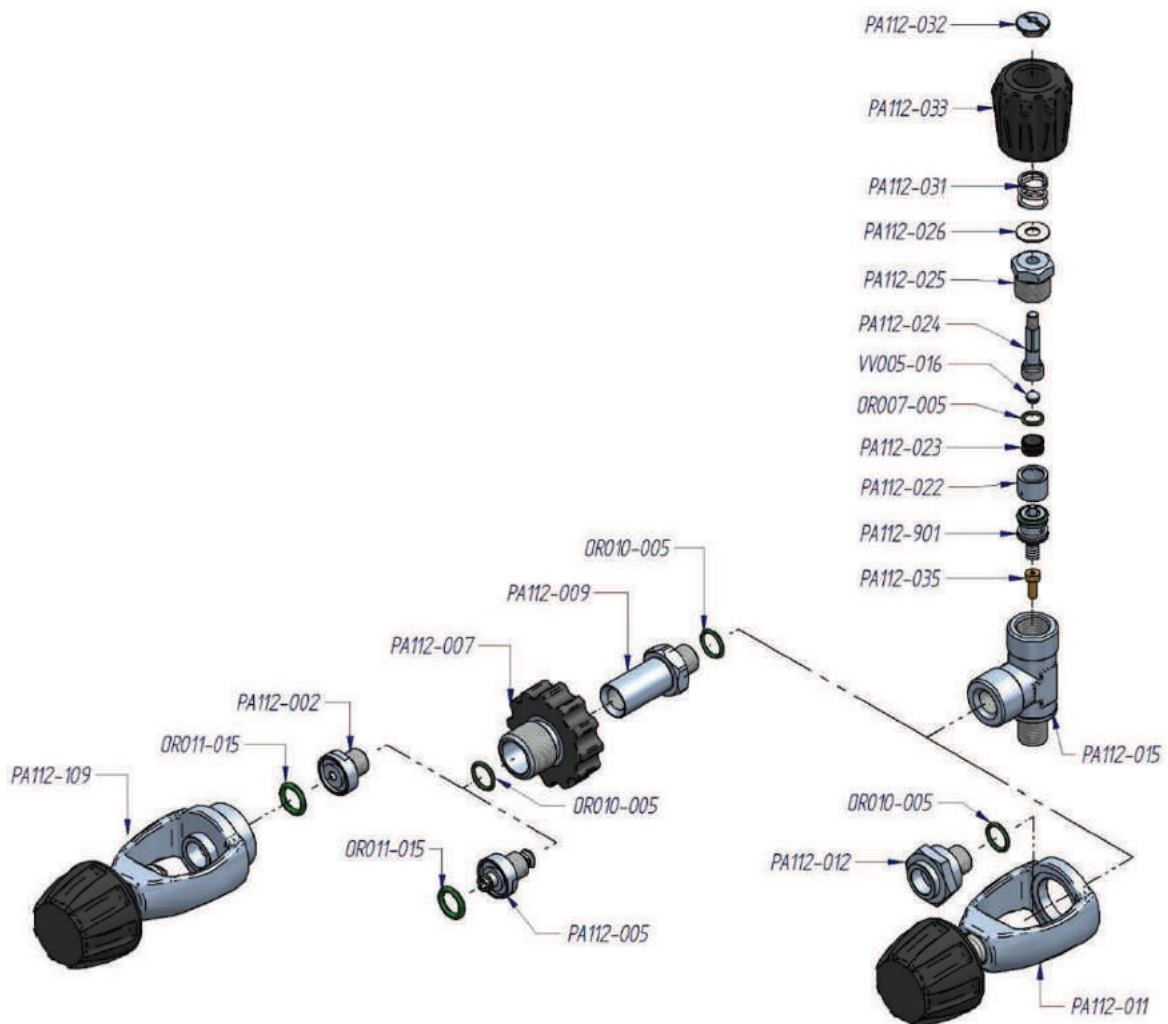
| CODE      | DESCRIPTION             | CODE      | DESCRIPTION                              | CODE          | DESCRIPTION                       |
|-----------|-------------------------|-----------|--|---------------|-----------------------------------|
| HR117-014 | Pipe fitting            | PA112-035 | Filter                                   | PA115-101     | Reductor high pressure            |
| HR176-002 | Closing plug            | PA112-105 | Fitting valve INT 200                    | PA115-116     | Spring no return valve            |
| HR303-003 | Connection              | PA112-109 | Adapter DIN 200 / INT-CGA 200 Bar - YOKE | PA115-119     | Piston no return valve            |
| HR338-002 | Pipe fitting "L"        | PA112-105 | Fitting valve INT 200                    | PA116-001-330 | Pressure swich 225 bar            |
| HR379-002 | Closing plug            | PA112-110 | Fitting valve DIN 200                    | PA116-001-D   | Connector with cable for Diesel   |
| HR701-011 | Washer                  | PA112-120 | Fitting valve DIN 300                    | PA116-001-G   | Connector with cable for Gasoline |
| HR701-012 | Washer                  | PA113-100 | Fitting hose                             | VB006-016     | Screw                             |
| OR003-005 | O-ring                  | PA114-001 | Distridutor 2 exit                       |               |                                   |
| PA110-102 | Safety valve PN 200 bar | PA114-010 | Connection                               |               |                                   |



**SPARE PARTS  
PACIFIC**  
*Fitting valve 200 BAR*

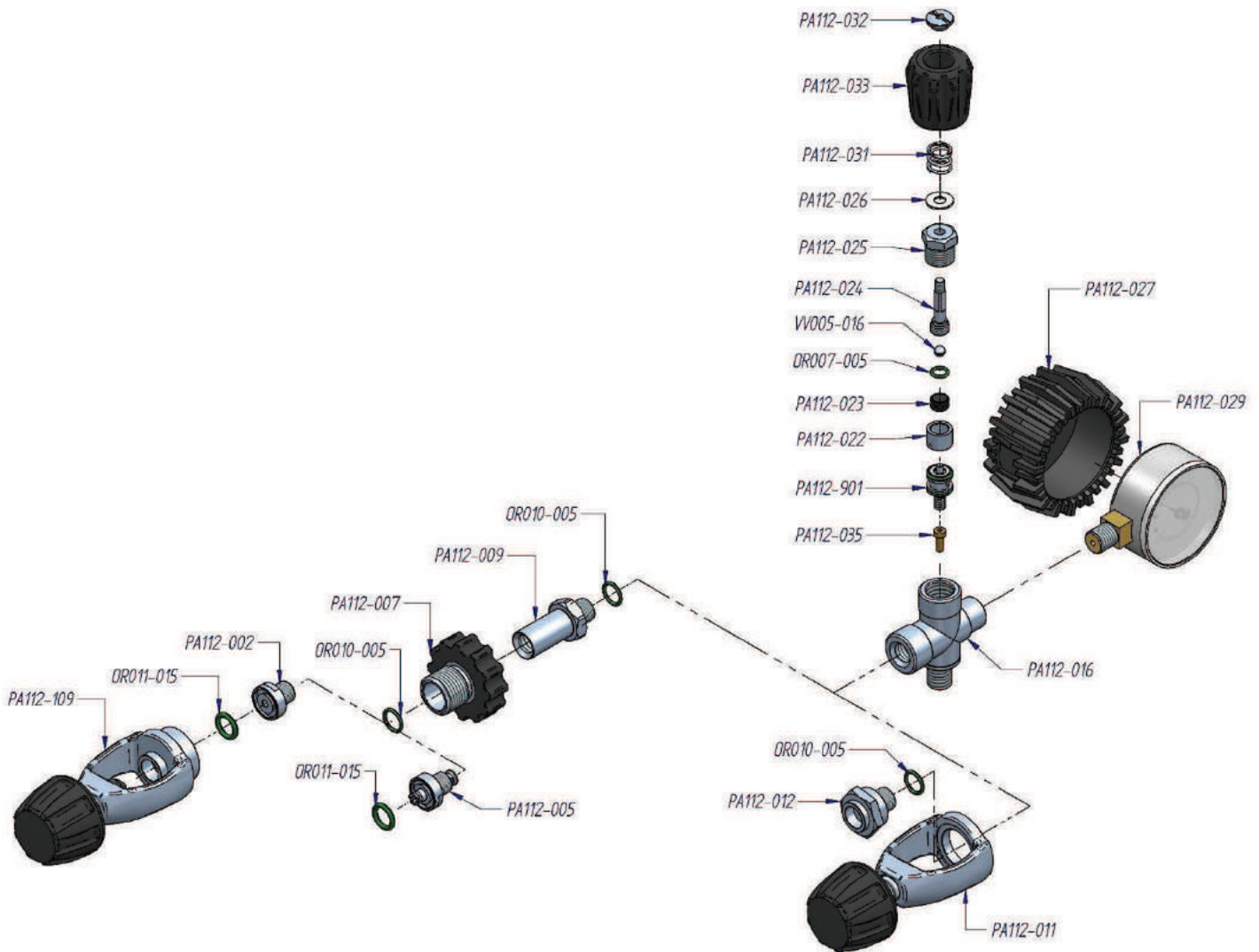
PA112-004 Rev.00

2015 Rev. 00

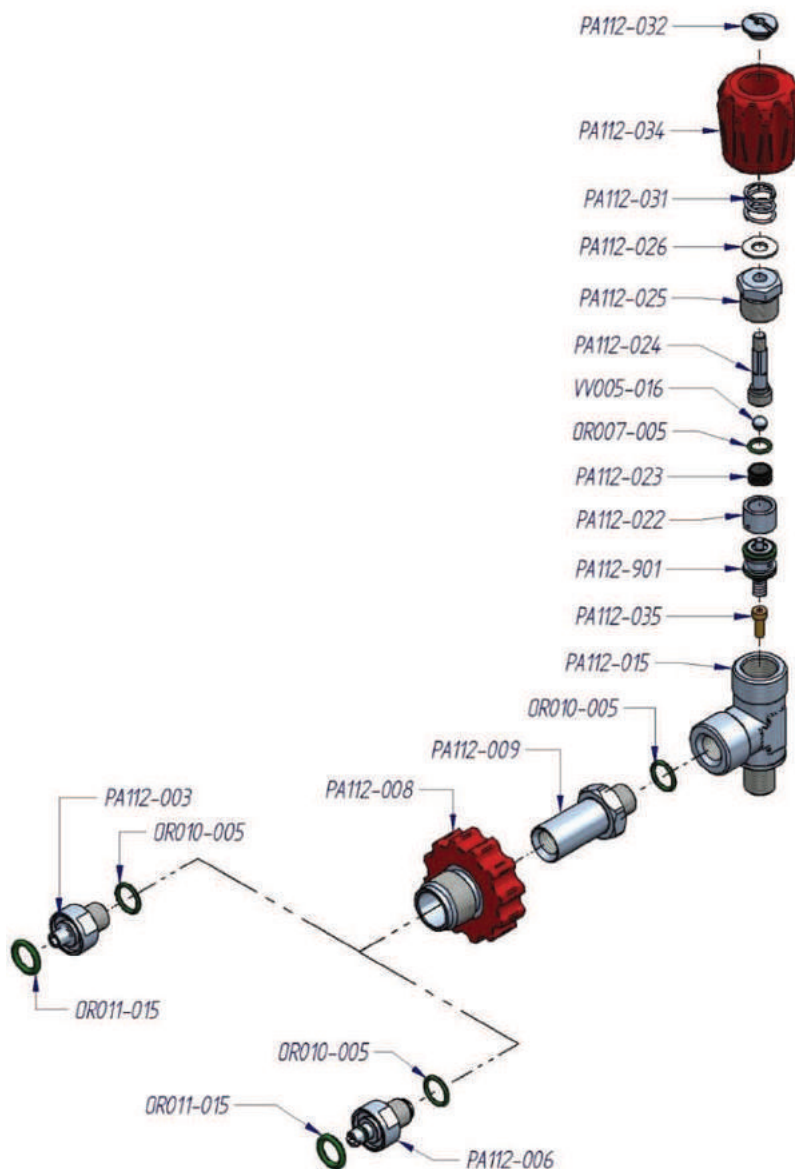


| CODE      | DESCRIPTION                          | CODE      | DESCRIPTION            | CODE      | DESCRIPTION                      |
|-----------|--------------------------------------|-----------|------------------------|-----------|----------------------------------|
| OR007-005 | O-ring                               | PA112-012 | Bracket blocks INT-CGA | PA112-032 | Nut                              |
| OR010-005 | O-ring                               | PA112-015 | Body valve             | PA112-033 | Rubber knob black 200 bar        |
| OR011-015 | O-ring                               | PA112-022 | Cylindrical guide      | PA112-035 | Filter                           |
| PA112-002 | Fitting connection 200 BAR           | PA112-023 | Piston valve insert    | PA112-109 | International connection INT-CGA |
| PA112-005 | Fitting connection 200 BAR flow stop | PA112-024 | Valve shaft            | PA112-901 | Kit pressure valve               |
| PA112-007 | Knob DIN 200 black                   | PA112-025 | Closure nut            | VV005-015 | Sphere                           |
| PA112-009 | Knob guide DIN 200                   | PA112-026 | Washer                 |           |                                  |
| PA112-011 | International connection INT-CGA     | PA112-031 | Spring                 |           |                                  |

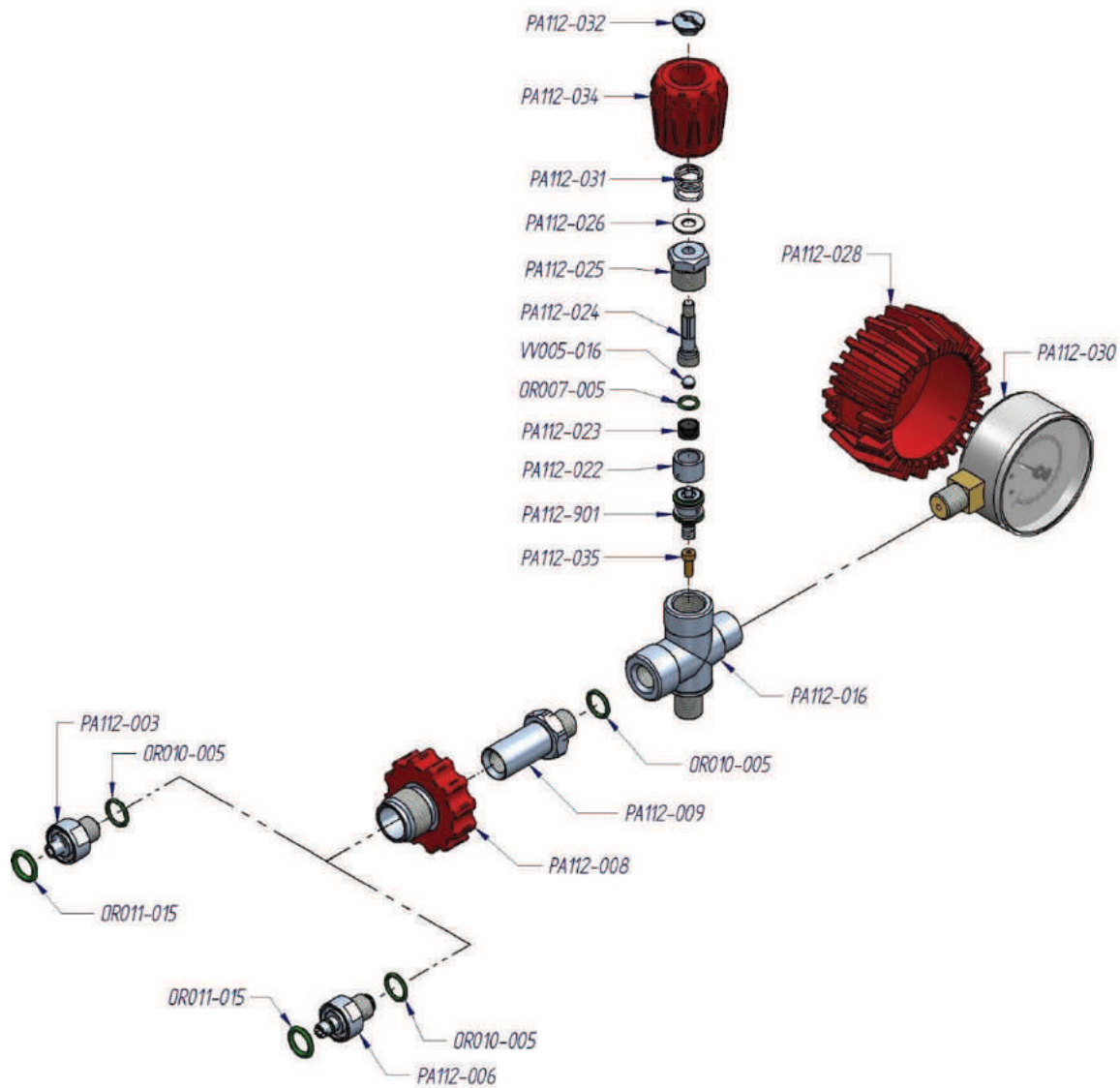
|  |  |                  |
|--|--|------------------|
|  | <b>SPARE PARTS<br/>PACIFIC</b><br><i>Fitting valve 200 BAR</i> | PA112-001 Rev.00 |
|  |  | 2015 Rev. 00     |



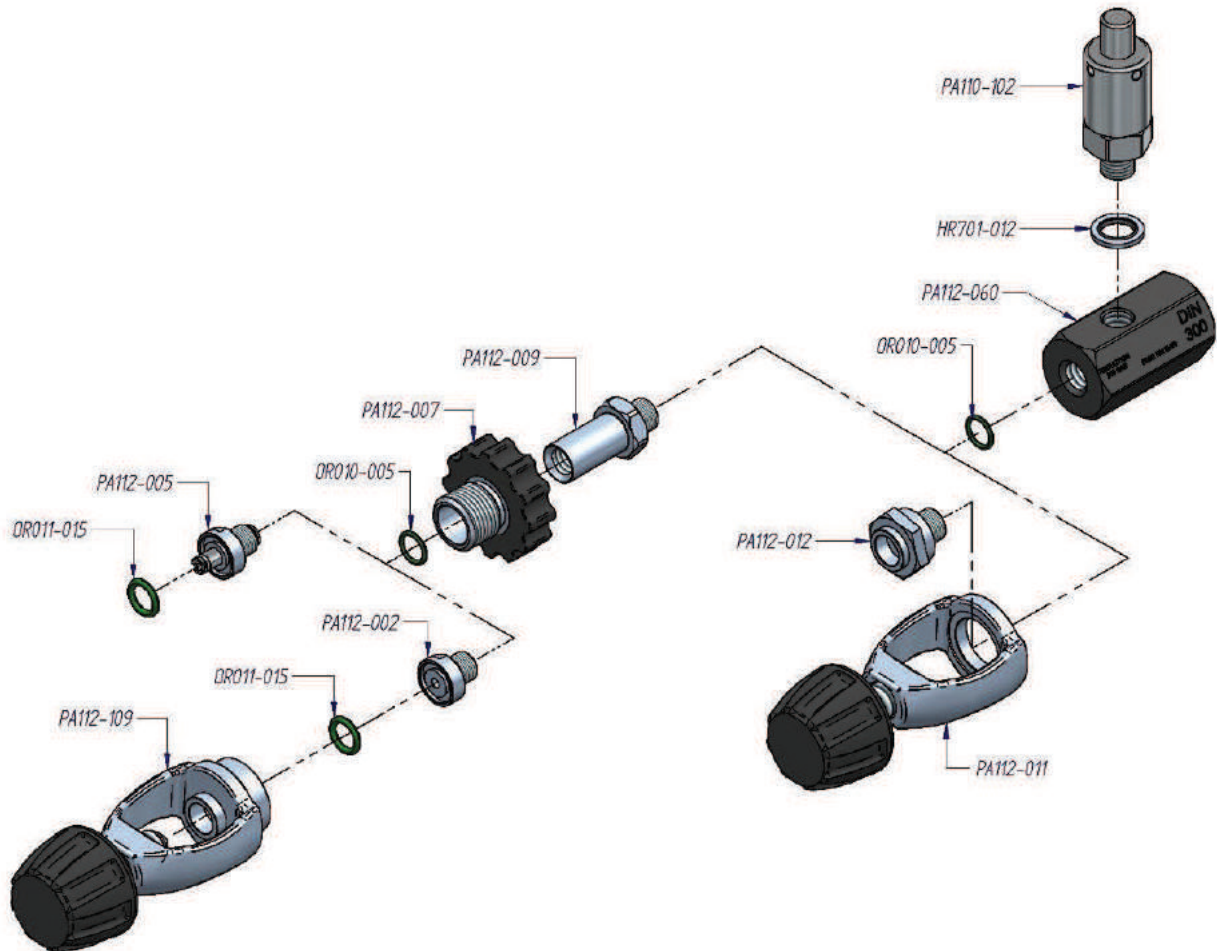
| CODE      | DESCRIPTION                          | CODE      | DESCRIPTION                     | CODE      | DESCRIPTION                      |
|-----------|--------------------------------------|-----------|---------------------------------|-----------|----------------------------------|
| OR007-005 | O-ring                               | PA112-016 | Body valve                      | PA112-032 | Nut                              |
| OR010-005 | O-ring                               | PA112-022 | Cylindrical guide               | PA112-033 | Rubber knob black 200 bar        |
| OR011-015 | O-ring                               | PA112-023 | Piston valve insert             | PA112-035 | Filter                           |
| PA112-002 | Fitting connection 200 BAR           | PA112-024 | Valve shaft                     | PA112-109 | International connection INT-CGA |
| PA112-005 | Fitting connection 200 BAR flow stop | PA112-025 | Closure nut                     | PA112-901 | Kit pressure valve               |
| PA112-007 | Knob DIN 200 black                   | PA112-026 | Washer                          | VV005-015 | Sphere                           |
| PA112-009 | Knob guide DIN 200                   | PA112-027 | Protection rubber black 200 bar |           |                                  |
| PA112-011 | International connection INT-CGA     | PA112-029 | Pressure gauge 200 BAR          |           |                                  |
| PA112-012 | Bracket blocks INT-CGA               | PA112-031 | Spring                          |           |                                  |



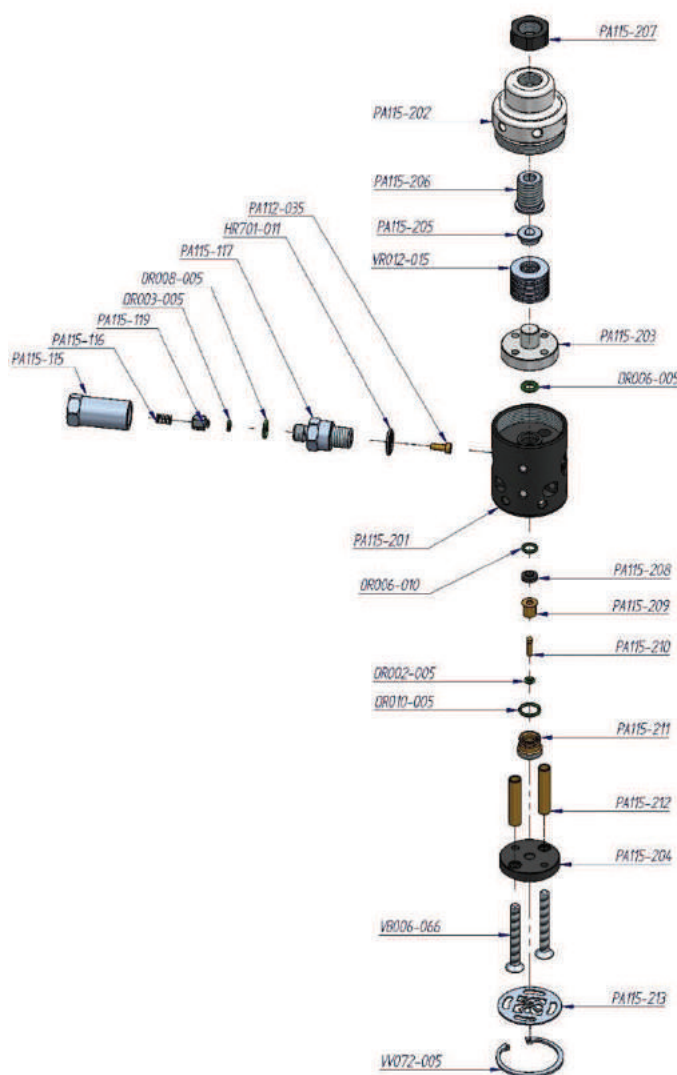
| CODE      | DESCRIPTION                          | CODE      | DESCRIPTION         | CODE      | DESCRIPTION             |
|-----------|--------------------------------------|-----------|---------------------|-----------|-------------------------|
| OR007-005 | O-ring                               | PA112-015 | Body valve          | PA112-032 | Nut                     |
| OR010-005 | O-ring                               | PA112-022 | Cylindrical guide   | PA112-034 | Rubber knob red 300 bar |
| OR011-015 | O-ring                               | PA112-023 | Piston valve insert | PA112-035 | Filter                  |
| PA112-003 | Fitting connection 300 BAR           | PA112-024 | Valve shaft         | PA112-901 | Kit pressure valve      |
| PA112-006 | Fitting connection 300 BAR flow stop | PA112-025 | Closure nut         | VV005-015 | Sphere                  |
| PA112-008 | Knob DIN 300 red                     | PA112-026 | Washer              |           |                         |
| PA112-009 | Knob guide DIN                       | PA112-031 | Spring              |           |                         |



| CODE      | DESCRIPTION                          | CODE      | DESCRIPTION                   | CODE      | DESCRIPTION             |
|-----------|--------------------------------------|-----------|-------------------------------|-----------|-------------------------|
| OR007-005 | O-ring                               | PA112-016 | Body valve                    | PA112-030 | Pressure gauge 300 BAR  |
| OR010-005 | O-ring                               | PA112-022 | Cylindrical guide             | PA112-031 | Spring                  |
| OR011-015 | O-ring                               | PA112-023 | Piston valve insert           | PA112-032 | Nut                     |
| PA112-003 | Fitting connection 300 BAR           | PA112-024 | Valve shaft                   | PA112-034 | Rubber knob red 300 bar |
| PA112-006 | Fitting connection 300 BAR flow stop | PA112-025 | Closure nut                   | PA112-035 | Filter                  |
| PA112-008 | Knob DIN 300 red                     | PA112-026 | Washer                        | PA112-901 | Kit pressure valve      |
| PA112-009 | Knob guide DIN                       | PA112-028 | Protection rubber red 300 BAR | VV005-015 | Sphere                  |



| CODE      | DESCRIPTION                | CODE      | DESCRIPTION                          | CODE      | DESCRIPTION                      |
|-----------|----------------------------|-----------|--------------------------------------|-----------|----------------------------------|
| HR701-012 | Washer                     | PA112-005 | Fitting connection 200 BAR flow stop | PA112-060 | Reduction Body                   |
| OR010-005 | O-ring                     | PA112-007 | Knob DIN 200 black                   | PA112-109 | International connection INT-CGA |
| OR011-015 | O-ring                     | PA112-009 | Knob guide DIN 200                   |           |                                  |
| PA110-102 | Safety valve PN 200 Bar    | PA112-011 | International connection INT-CGA     |           |                                  |
| PA112-002 | Fitting connection 200 BAR | PA112-012 | Bracket blocks INT-CGA               |           |                                  |



| CODE      | DESCRIPTION            | CODE      | DESCRIPTION            | CODE      | DESCRIPTION |
|-----------|------------------------|-----------|------------------------|-----------|-------------|
| HR701-011 | Washer                 | PA115-119 | Piston no return valve | PA115-211 | Flange      |
| OR002-005 | O-ring                 | PA115-201 | Body                   | PA115-212 | Cylinder    |
| OR003-005 | O-ring                 | PA115-202 | Flange                 | PA115-213 | Flange      |
| OR006-005 | O-ring                 | PA115-203 | Flange                 | VB006-066 | Screw       |
| OR006-010 | O-ring                 | PA115-204 | Flange                 | VR012-015 | Washer      |
| OR008-005 | O-ring                 | PA115-205 | Spring support         | VV072-005 | Safety ring |
| OR010-005 | O-ring                 | PA115-206 | Screw                  |           |             |
| PA112-035 | Filter                 | PA115-207 | Nut                    |           |             |
| PA115-115 | Body no return Valve   | PA115-208 | Washer                 |           |             |
| PA115-116 | Spring no return valve | PA115-209 | Cylinder               |           |             |
| PA115-117 | Body no return valve   | PA115-210 | Piston                 |           |             |