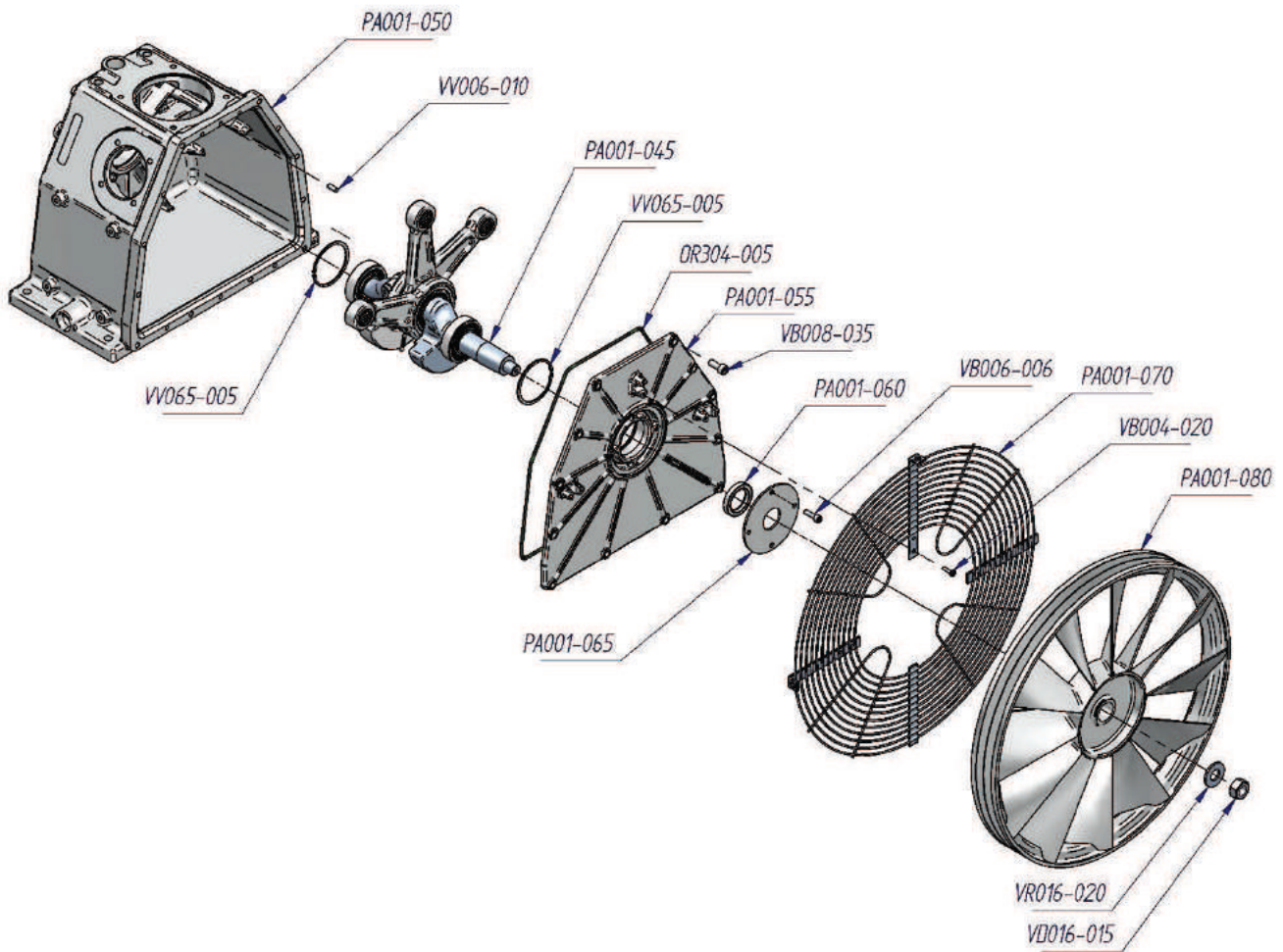
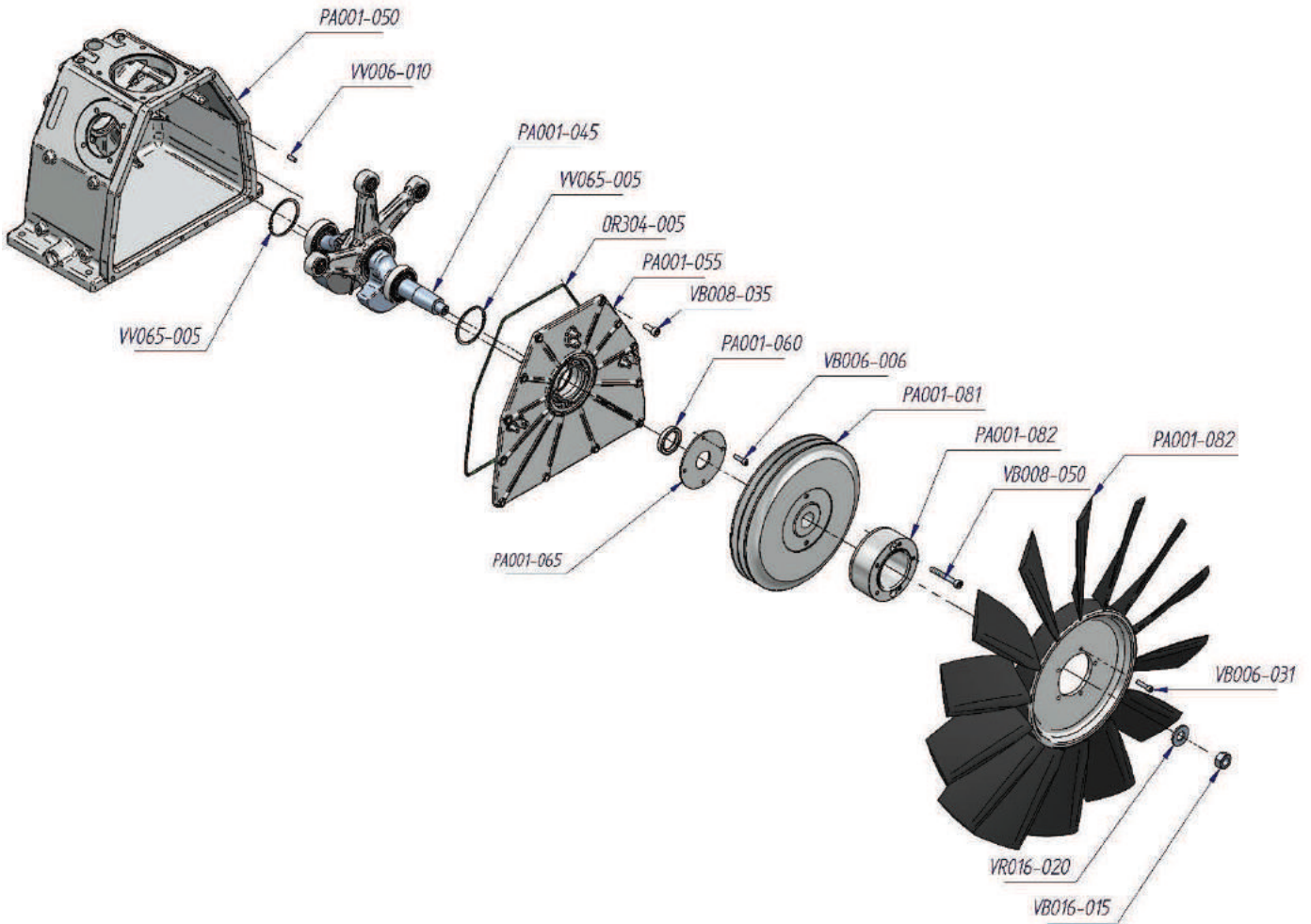


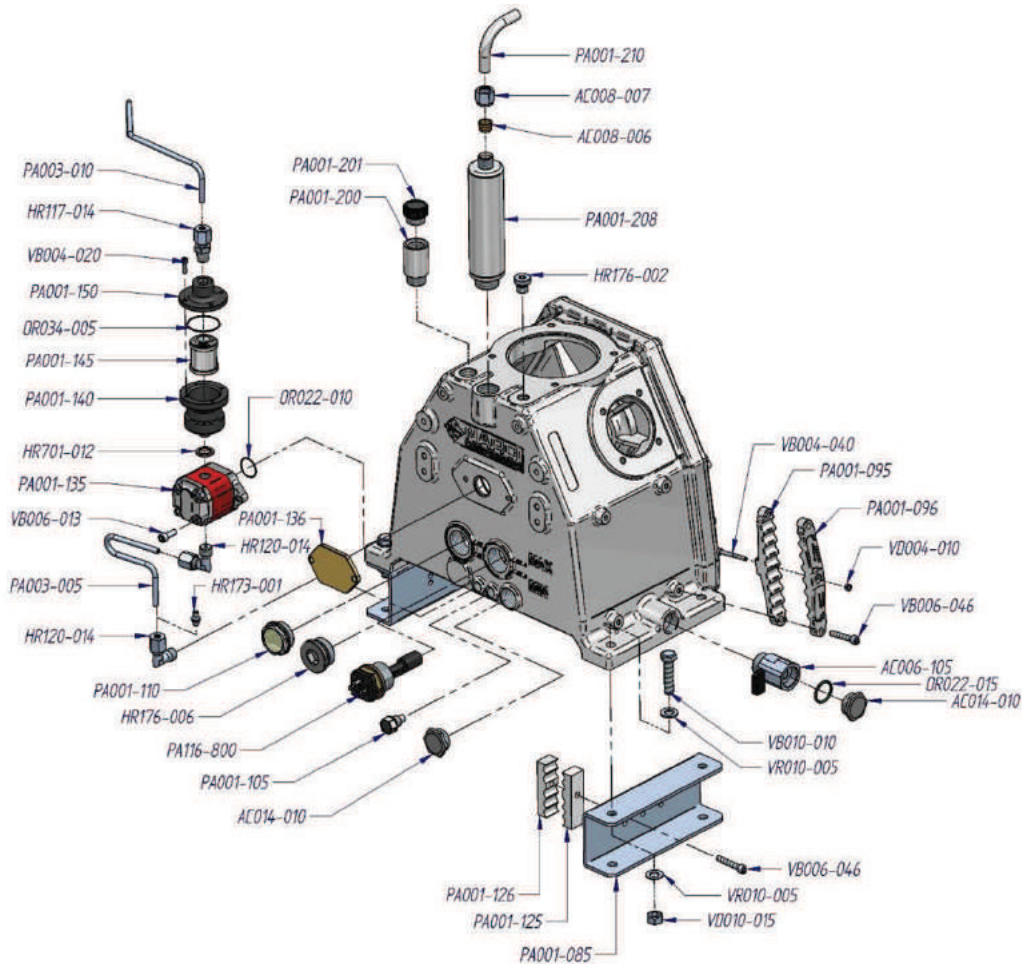
CODE	DESCRIPTION	CODE	DESCRIPTION	CODE	DESCRIPTION
PA001-006	Shaft	PA001-025	Roller bearing	VD008-010	Nut
PA001-011	Counterbalance	PA001-030	Roller bearing	VR030-005	Washer
PA001-015	Connecting rod with oil thrower pin	PA001-035	Roller bearing	VV025-005	Safety ring
PA001-020	Connecting rod	VB008-030	Screw	VV030-005	Safety ring



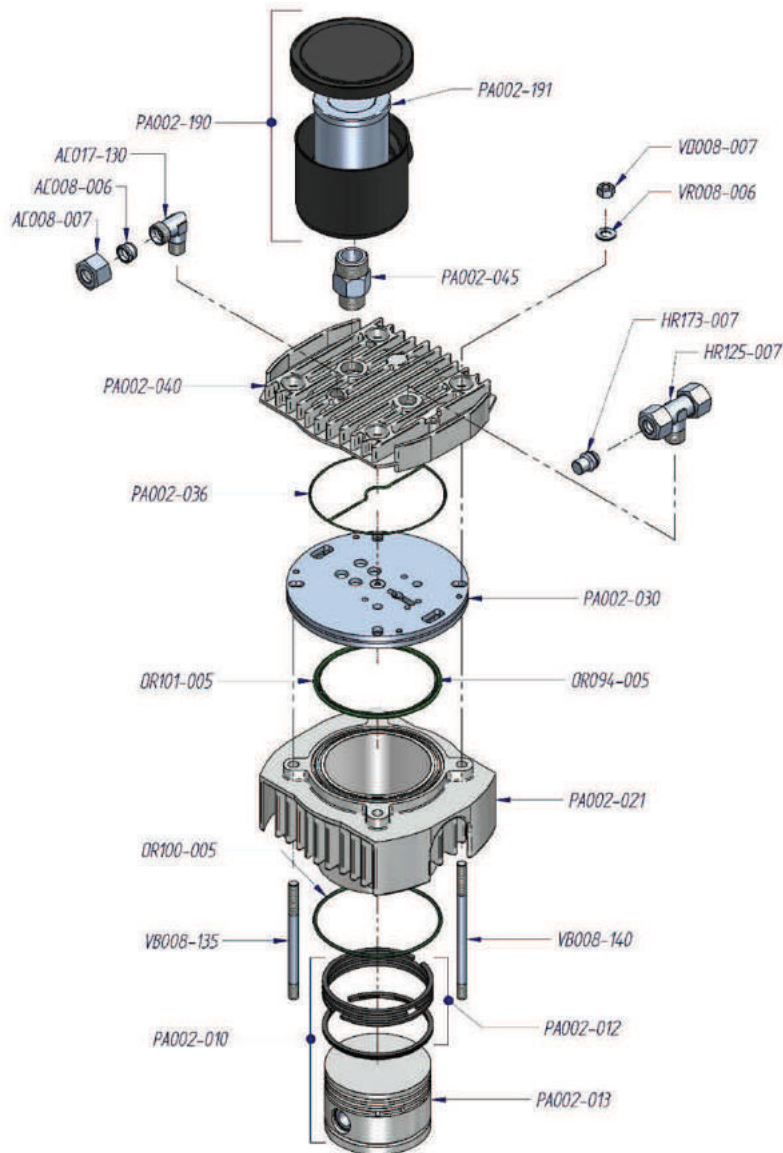
CODE	DESCRIPTION	CODE	DESCRIPTION	CODE	DESCRIPTION
OR304-005	O-ring	PA001-065	Oil seal flange	VB008-035	Screw
PA001-045	Shaft complete of connecting rod	PA001-070	Metal protection	VD016-015	Nut
PA001-050	Compressor crankcase	PA001-080	Pulley-fan compressor	VR016-020	Washer
PA001-055	Closing crankcase flange	VB004-020	Screw	VV006-010	Pin
PA001-060	Oil seal	VB006-006	Screw	VV065-005	Safety ring



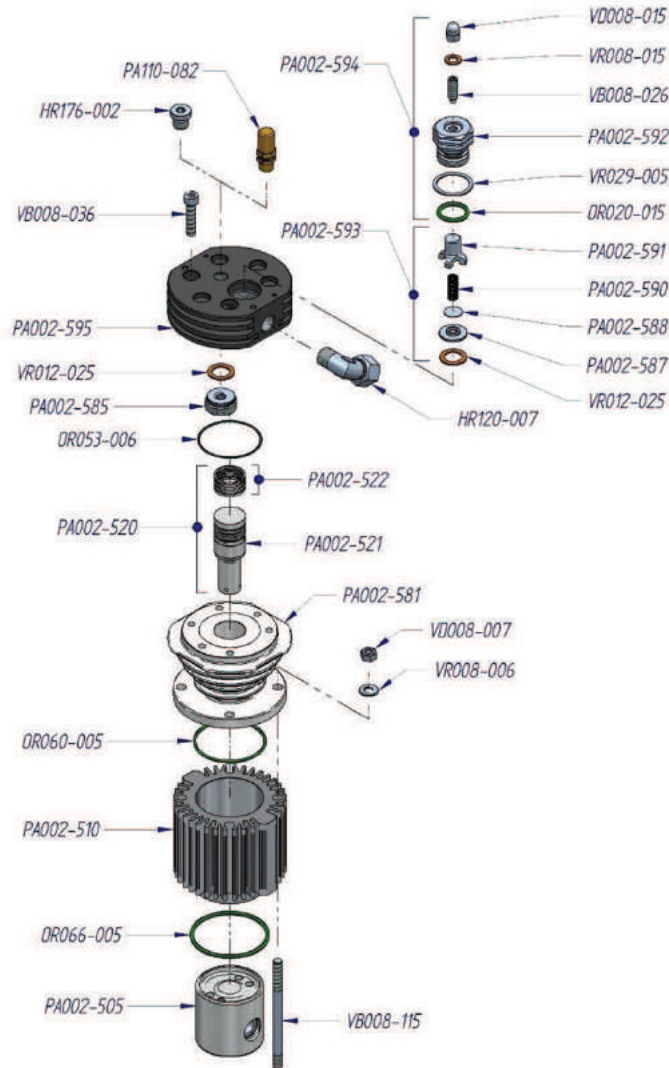
CODE	DESCRIPTION	CODE	DESCRIPTION	CODE	DESCRIPTION
OR304-005	O-ring	PA001-065	Oil seal flange	VB008-035	Screw
PA001-045	Shaft complete of connecting rod	PA001-081	Pulley	VD016-015	Nut
PA001-050	Compressor crankcase	PA001-082	Fan	VR016-020	Washer
PA001-055	Closing crankcase flange	VB006-006	Screw	VV006-010	Pin
PA001-060	Oil seal	VB006-031	Screw	VV065-005	Safety ring



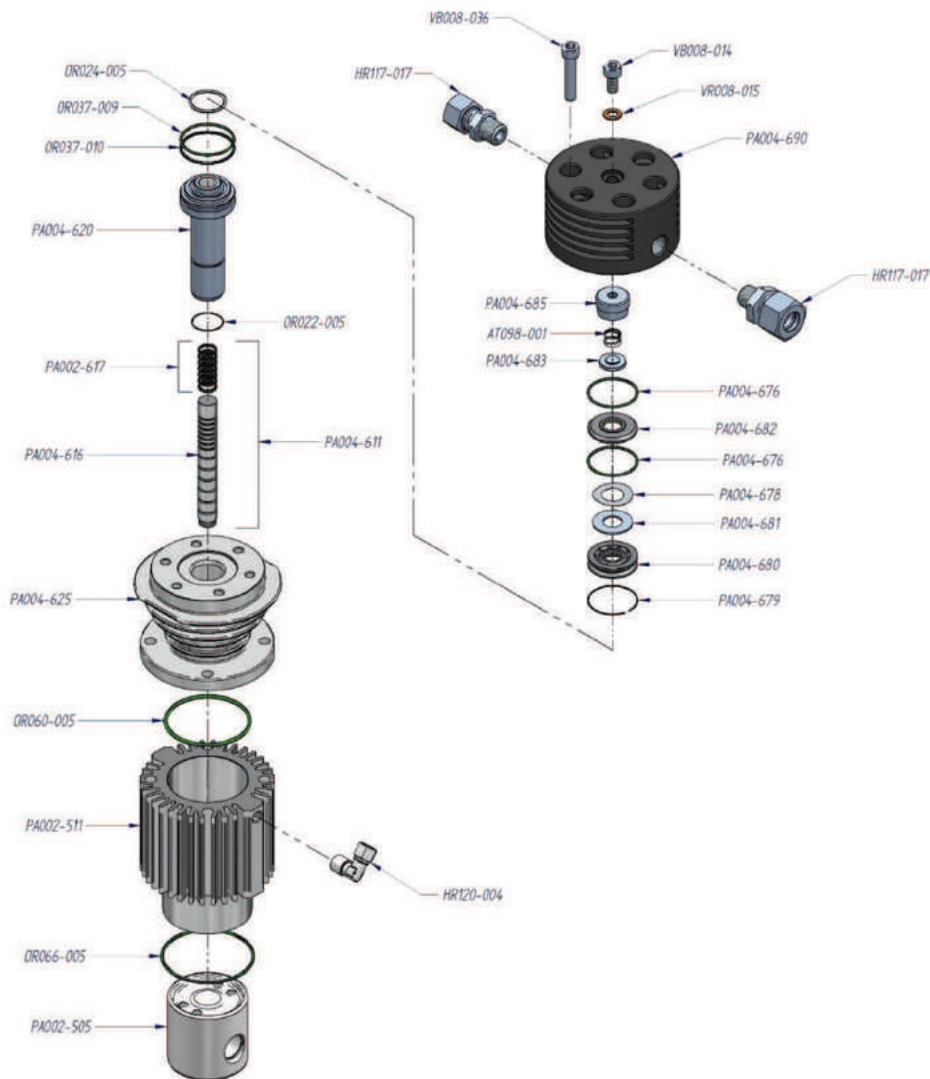
CODE	DESCRIPTION	CODE	DESCRIPTION	CODE	DESCRIPTION
AC006-105	Ball valve	PA001-096	Support cooling tube	PA003-010	Tube oil pump
AC008-006	Ogive for tube 12mm	PA001-105	Magnetic plug	PA116-800	Oil alert
AC008-007	Nut for tube 12 mm	PA001-110	Visual oil level plug	VB004-020	Screw
AC014-010	Closure plug	PA001-125	Support cooling tube	VB004-046	Screw
HR117-014	Pipe fitting	PA001-126	Support cooling tube	VB006-013	Screw
HR120-014	Pipe fitting "L"	PA001-135	Oil pump	VB006-046	Screw
HR173-001	Closure connection tube	PA001-136	Closure flange	VB010-010	Screw
HR176-002	Closure plug	PA001-140	Oil filter holder chamber	VD004-010	Nut
HR176-006	Closure plug	PA001-145	Oil filter	VD010-015	Nut
HR701-012	Washer gasket	PA001-150	Closure oil filter chamber	VR010-005	Washer
OR022-010	O-ring	PA001-200	Oil fitting pipe		
OR022-015	O-ring	PA001-201	Plug		
OR034-005	O-ring	PA001-208	Oil separator		
PA001-085	Support compressor	PA001-210	Tube		
PA001-095	Support cooling tube	PA003-005	Tube oil pump		



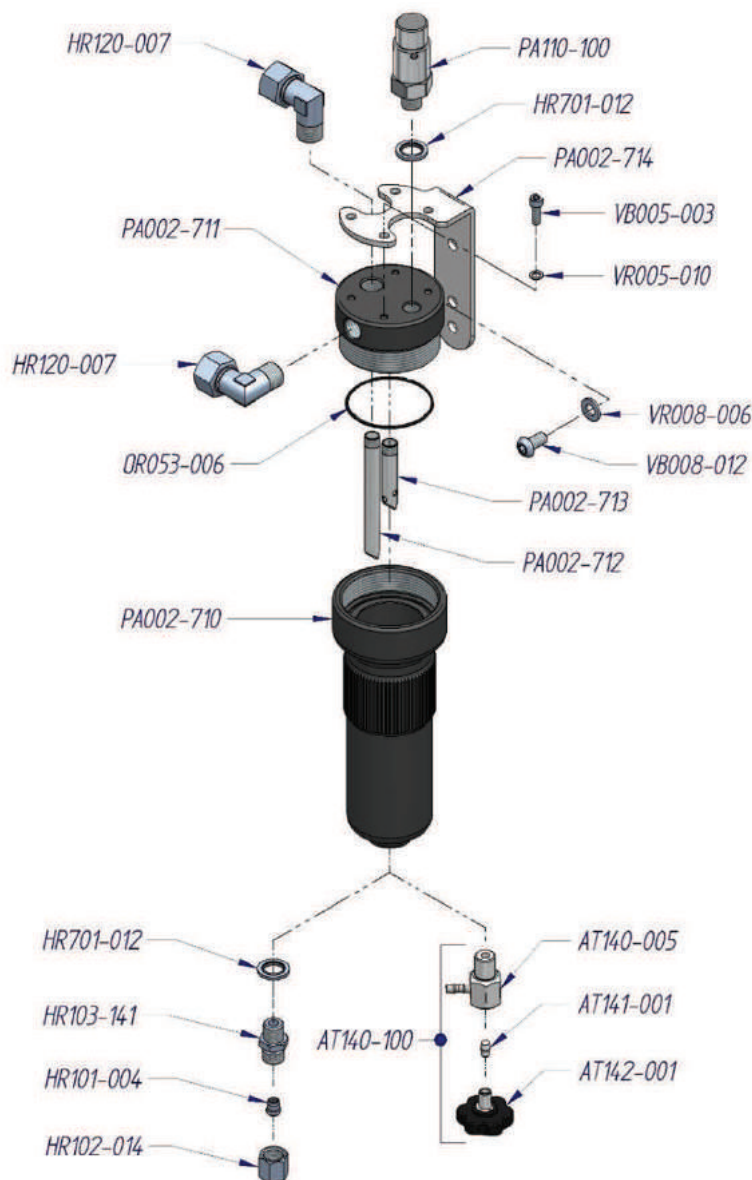
CODE	DESCRIPTION	CODE	DESCRIPTION	CODE	DESCRIPTION
AC008-006	Oqive	PA002-010	Complete piston	PA002-190	Complete intake filter
AC008-007	Nut	PA002-012	Set Piston rings	PA002-191	Intake filter cartridge
AC017-130	Pipe fitting "L"	PA002-013	Piston	VB008-135	Screw
HR125-007	Pipe fitting "T"	PA002-021	Cylinder 1 <sup>st</sup> stage	VB008-140	Screw
HR173-007	Closure connection	PA002-030	Plate valve 1 <sup>st</sup> stage	VD008-007	Nut
OR094-005	O-ring	PA002-036	O-ring	VR008-006	Washer
OR100-005	O-ring	PA002-040	Head 1 <sup>st</sup> stage		
OR101-005	O-ring	PA002-045	Connection		



CODE	DESCRIPTION	CODE	DESCRIPTION	CODE	DESCRIPTION
HR120-007	Pipe fitting "L"	PA002-581	Cylinder	VB008-026	Screw
HR176-002	Closure plug	PA002-585	Suction valve	VB008-036	Screw
OR020-015	O-ring	PA002-587	Valve seat	VB008-115	Screw
OR053-006	O-ring	PA002-588	Valve plate	VD008-007	Nut
OR060-005	O-ring	PA002-590	Valve spring	VD008-015	Nut
OR066-005	O-ring	PA002-591	Pressure valve insert	VR008-006	Washer
PA002-505	Piston guide	PA002-592	Valve coupling	VR008-015	Washer
PA002-510	Cylinder	PA002-593	Pressure valve insert	VR012-025	Washer
PA002-520	Complete piston with rings	PA002-594	Complete coupling pressure valve	VR029-005	Washer
PA002-521	Piston	PA002-595	Valve head		
PA002-522	Set piston rings	PA110-082	Safety valve		

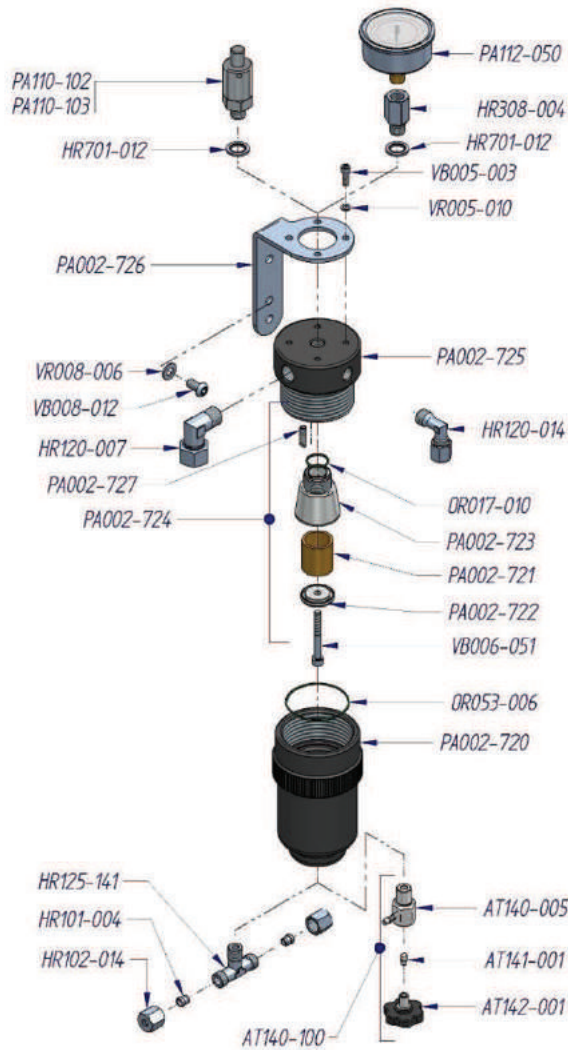


CODE	DESCRIPTION	CODE	DESCRIPTION	CODE	DESCRIPTION
AT098-001	Spring	PA004-611	Complete piston with rings	PA004-683	Valve top
HR117-017	Pipe fitting direct	PA004-616	Piston	PA004-685	Suction valve
HR120-004	Pipe fitting "L"	PA002-617	Set piston rings	PA004-690	Valve head
OR037-009	O-ring	PA004-620	Cylinder's pipe	VB008-014	Screw
OR037-010	O-ring	PA004-625	Cylinder	VB008-036	Screw
OR022-005	O-ring	PA004-680	Coupling pressure valve	VR008-015	Washer
OR024-005	O-ring	PA004-681	Pressure valve		
OR060-005	O-ring	PA004-682	Top valve		
OR066-005	O-ring	PA004-676	Special O-Ring		
PA002-505	Piston guide	PA004-678	Special spring		
PA002-511	Cylinder	PA004-679	Setqer valve		

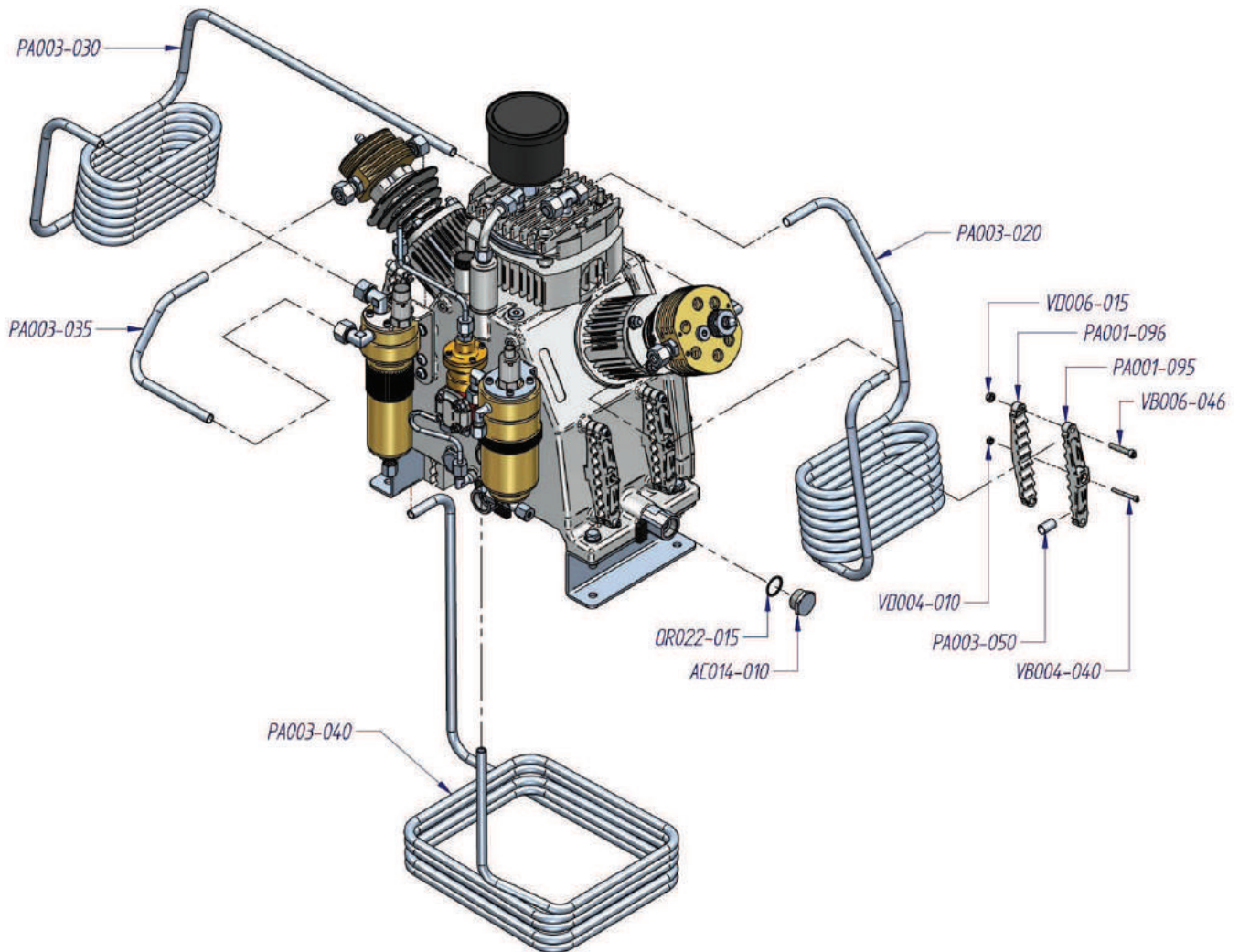


CODE	DESCRIPTION	CODE	DESCRIPTION	CODE	DESCRIPTION
AT140-005	Body drain valve complete	HR120-007	Pipe fitting "L"	PA002-714	Support filter separator
AT140-100	Condensate drain valve complete	HR701-012	Washer gasket	PA110-100	Safety valve
AT141-001	Rilsan nut	OR053-006	O-ring	VB004-021	Screw
AT142-001	Black screw of discharge	PA002-710	Body filter separator	VB008-012	Screw
HR101-004	Ogive	PA002-711	Head filter separator	VR004-010	Washer
HR102-014	Nut fitting pipe	PA002-712	Tube separator	VR008-006	Washer
HR103-141	Body pipe fitting	PA002-713	Tube separator		

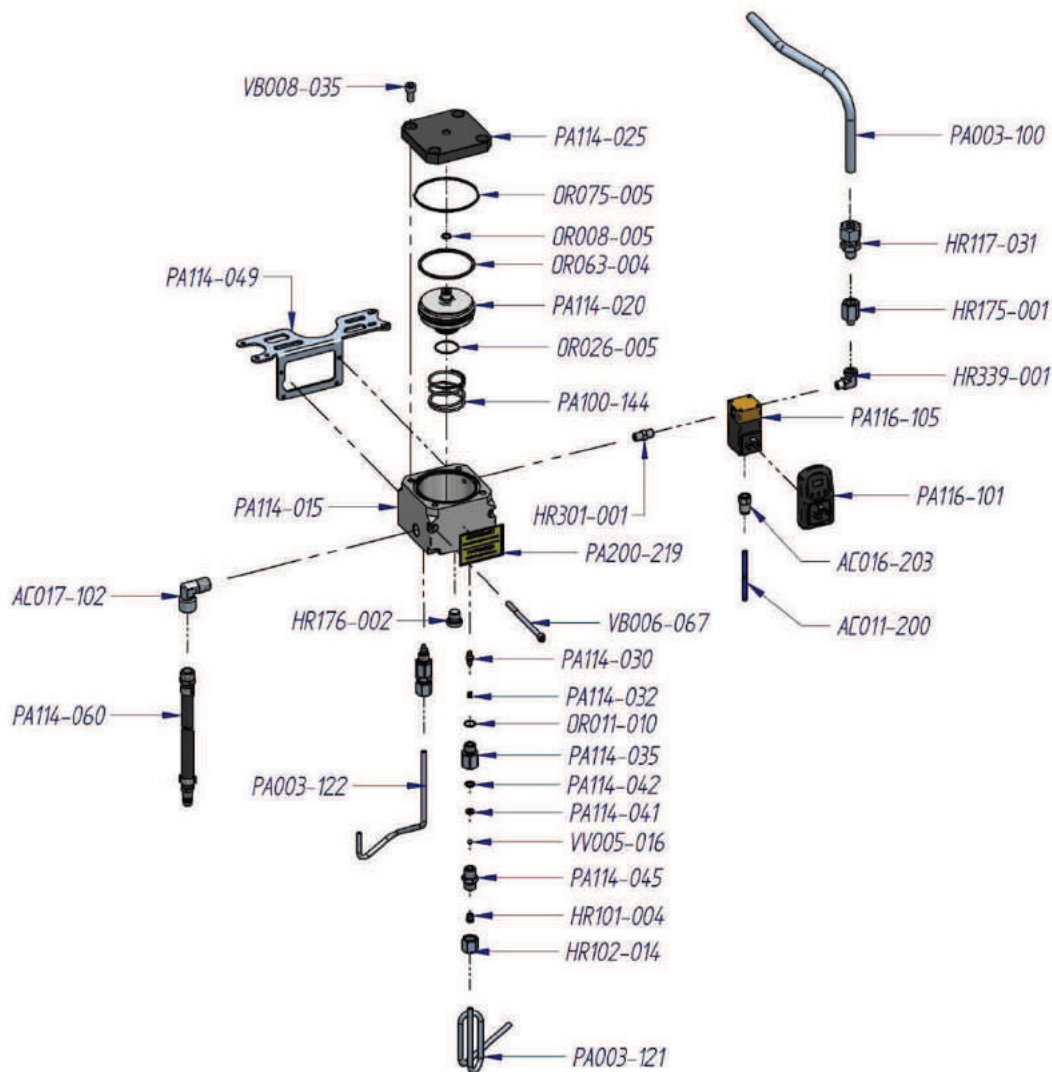




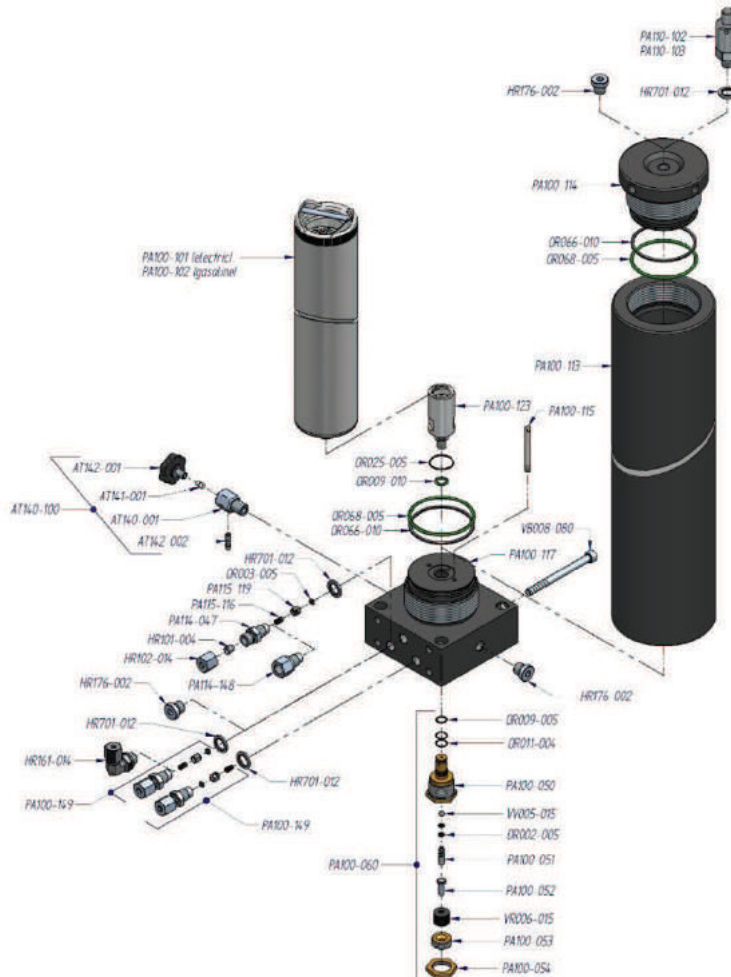
CODE	DESCRIPTION	CODE	DESCRIPTION	CODE	DESCRIPTION
AT140-005	Body drain valve complete	OR017-010	O-ring	PA110-103	Safety valve PN 300 bar
AT140-100	Condensate drain valve complete	OR053-006	O-ring	PA112-050	Manometer
AT141-001	Rilsan nut	PA002-720	Body filter separator	VB005-003	Screw
AT142-001	Black screw of discharge	PA002-721	Sintered filter	VB006-051	Screw
HR101-004	Ogive	PA002-722	Flange	VB008-012	Screw
HR102-014	Nut filling pipe	PA002-723	Flange	VR005-010	Washer
HR120-007	Pipe fitting "L"	PA002-724	Complete filter separator cartridge	VR008-006	Washer
HR120-014	Pipe fitting "L"	PA002-725	Head filter separator		
HR125-141	Body pipe fitting "T"	PA002-726	Support filter separator		
HR308-004	Connection	PA002-727	Tube separator		
HR701-012	Washer gasket	PA110-102	Safety valve PN 200 bar		



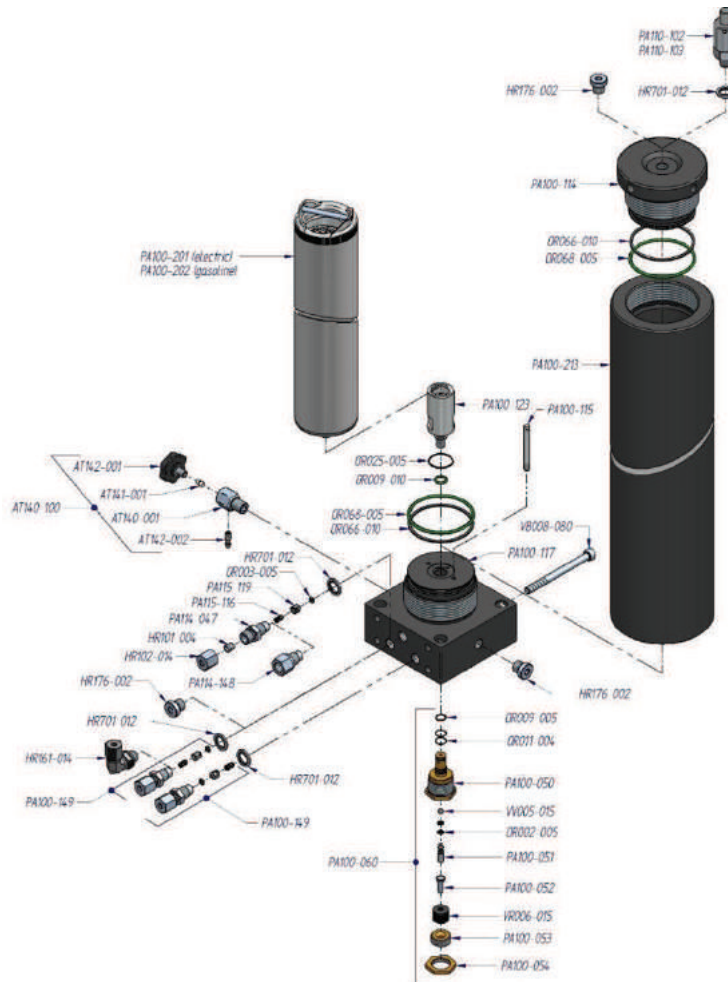
CODE	DESCRIPTION	CODE	DESCRIPTION	CODE	DESCRIPTION
AC014-010	Nut	PA003-030	Inter cooler	VB006-046	Screw
OR022-015	O-ring	PA003-035	Connecting tube	VD004-010	Nut
PA001-095	Fixing for cooler	PA003-040	Inter cooler	VD006-015	Nut
PA001-096	Fixing for cooler	PA003-050	Tube		
PA003-020	Inter cooler	VB004-040	Screw		



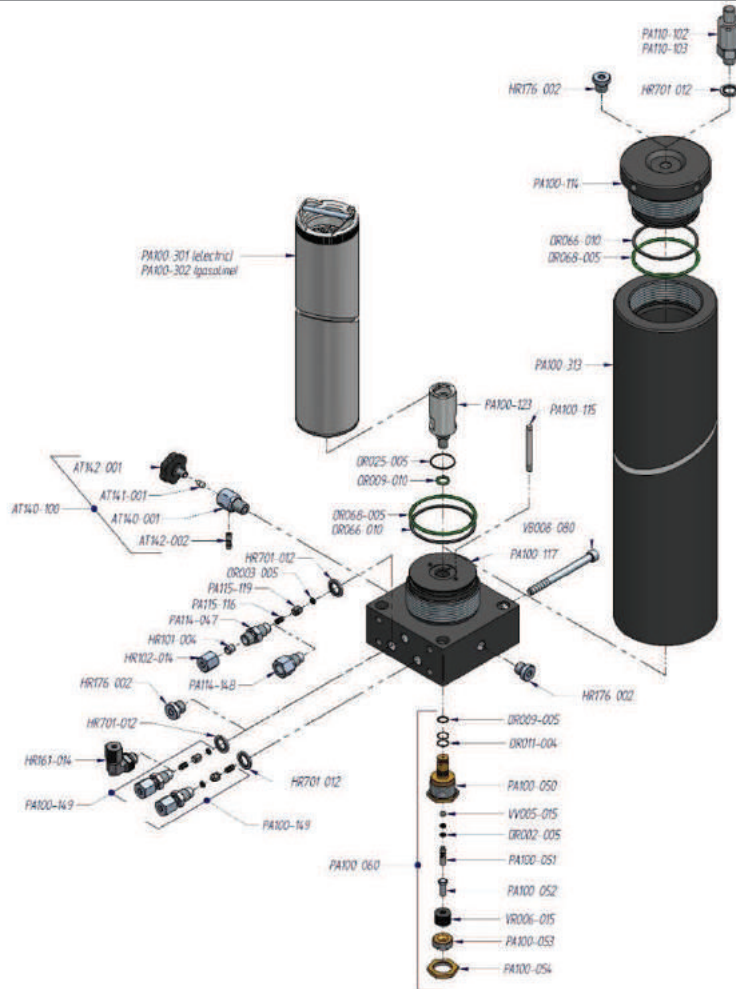
CODE	DESCRIPTION	CODE	DESCRIPTION	CODE	DESCRIPTION
AC011-200	Rilsan tube	OR011-010	O-ring	PA114-030	Piston
AC016-203	Connection	OR026-005	O-ring	PA114-032	Spring
AC017-102	Pipe fitting "L"	OR063-004	O-ring	PA114-035	Drain valve connection
HR101-004	Ogive	OR075-005	O-ring	PA114-041	Sealing Ring
HR102-014	Nut fitting pipe	PA003-100	Tube	PA114-042	Reducer
HR117-031	Pipe fitting	PA003-121	Tube	PA114-045	Connection INOX
HR175-001	Connection	PA003-122	Tube	PA114-049	Support condensate drain
HR176-002	Closure plug	PA110-010	Spring	PA114-060	Hose with fittings for collecting vessel
HR301-001	Nipple	PA114-015	Drain valve body	PA116-101	Timer
HR339-001	Connection "L"	PA114-020	Drain valve piston	PA116-105	Solenoid valve 12 Volt DC
OR008-005	O-ring	PA114-025	Top flange	VV005-016	Sphere



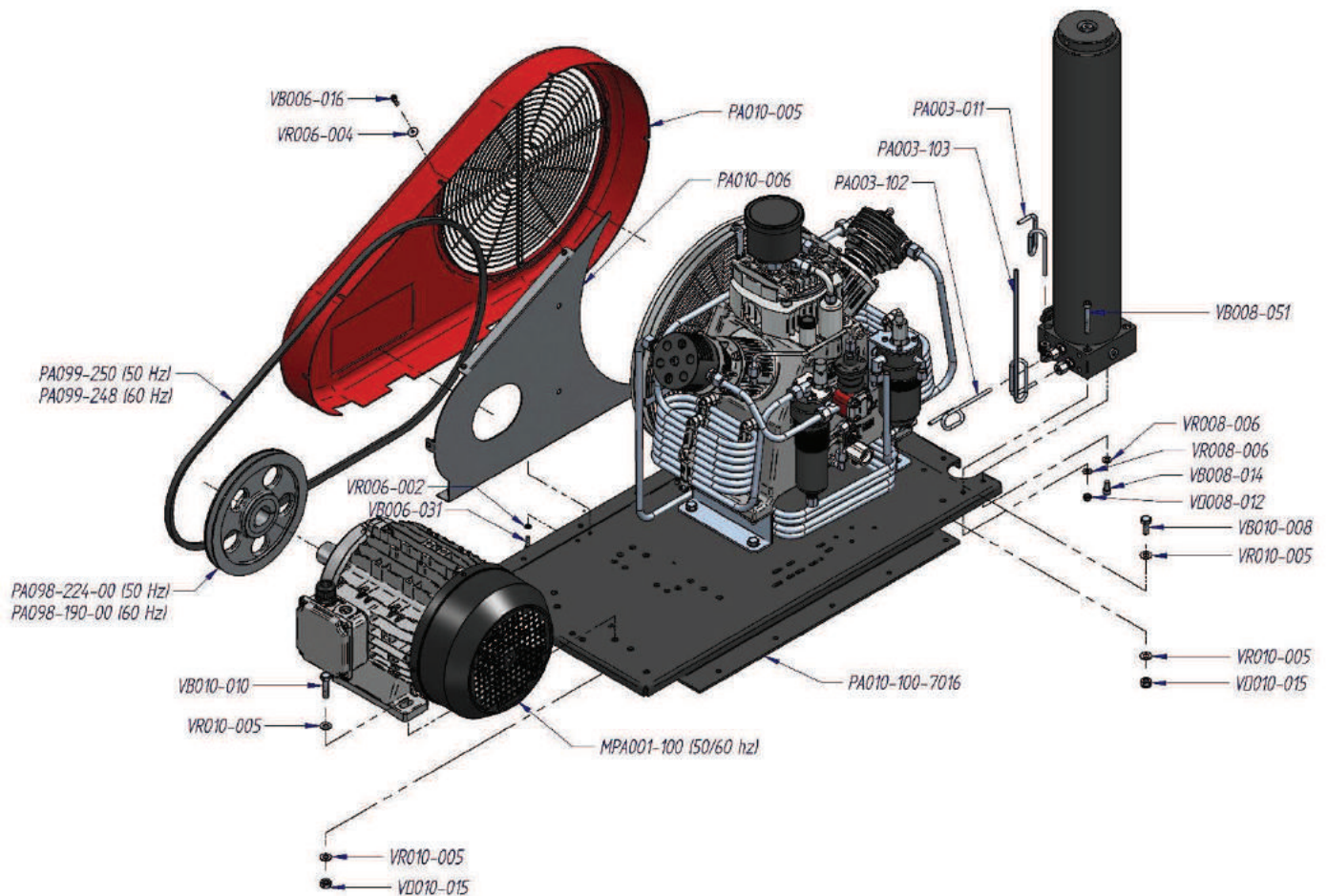
CODE	DESCRIPTION	CODE	DESCRIPTION	CODE	DESCRIPTION
AT140-001	Drain valve housing	OR025-005	O-ring	PA100-123	Extension filter
AT140-100	Condensate drain valve complete	OR066-010	O-ring	PA100-149	Pipe fitting whit not return valve
AT141-001	Rilsan nut	OR068-005	O-ring	PA110-102	Safety valve PN 200 bar
AT142-001	Black screw of discharge	PA100-050	Maintaining valve insert	PA110-103	Safety valve PN 300 bar
AT142-002	Drain out	PA100-051	Piston maintaining valve	PA114-047	Connection
HR101-004	Ogive	PA100-052	Spring guide	PA114-148	Connection
HR102-014	Nut fitting pipe	PA100-053	Closure plug	PA115-116	Spring no return valve
HR161-014	Pipe fitting "L"	PA100-054	Nut	PA115-119	Piston no return valve
HR176-002	Closure plug	PA100-060	Maintaining valve complete	VB008-080	Screw
HR701-012	Washer	PA100-101	Filter cartridge - electric	VR006-015	Washer spring
OR002-005	O-ring	PA100-102	Filter cartridge - gasoline	VV005-015	Sphere
OR003-005	O-ring	PA100-113	Filter housing		
OR009-005	O-ring	PA100-114	Head filter housing		
OR009-010	O-ring	PA100-115	Nozzle		
OR011-004	O-ring	PA100-117	Base filter		



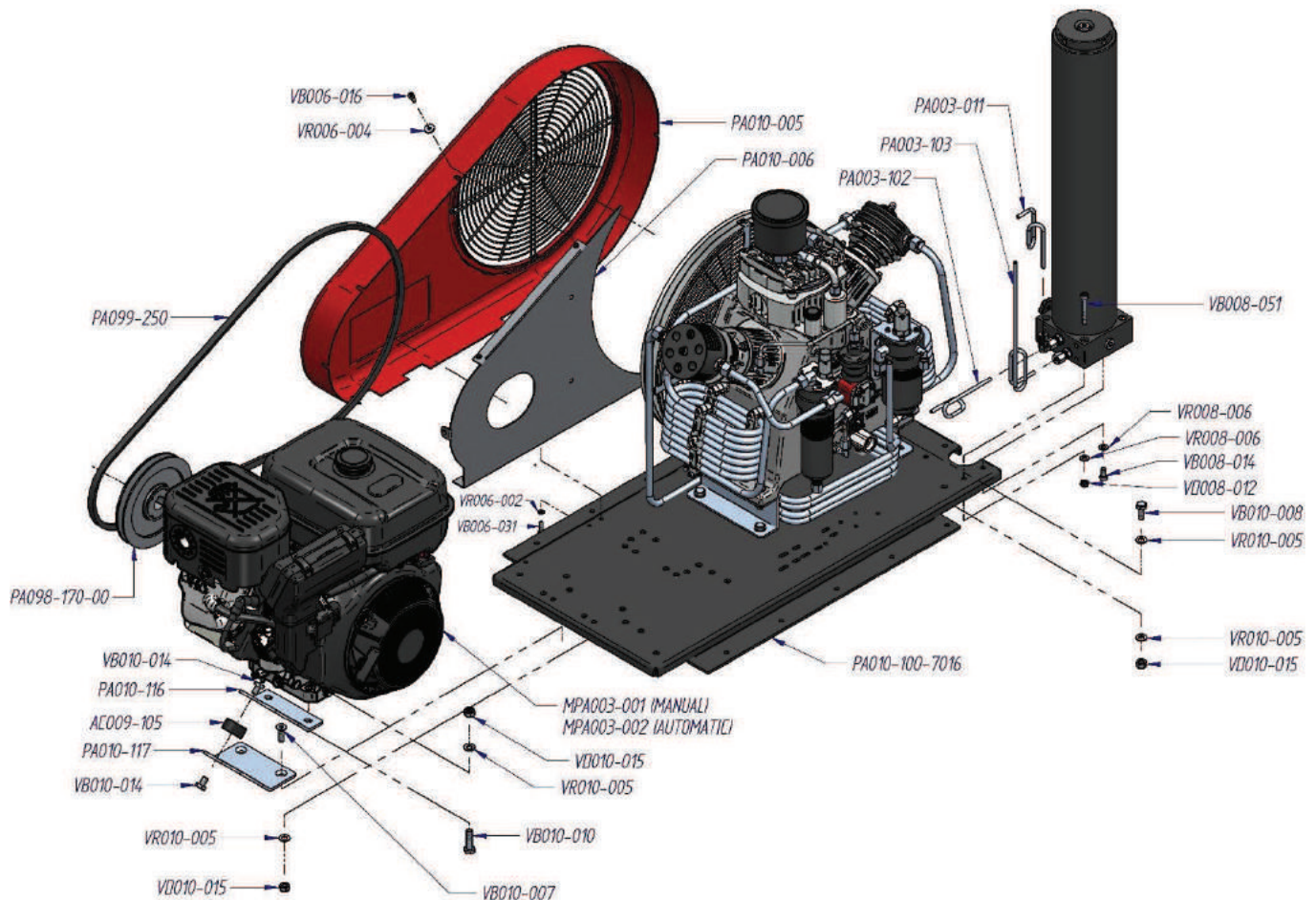
CODE	DESCRIPTION	CODE	DESCRIPTION	CODE	DESCRIPTION
AT140-001	Drain valve housing	OR025-005	O-ring	PA100-123	Extension filter
AT140-100	Condensate drain valve complete	OR066-010	O-ring	PA100-149	Pipe fitting whit not return valve
AT141-001	Rilsan nut	OR068-005	O-ring	PA110-102	Safety valve PN 200 bar
AT142-001	Black screw of discharge	PA100-050	Maintaining valve insert	PA110-103	Safety valve PN 300 bar
AT142-002	Drain out	PA100-051	Piston maintaining valve	PA114-047	Connection
HR101-004	Ogive	PA100-052	Spring guide	PA114-148	Connection
HR102-014	Nut fitting pipe	PA100-053	Closure plug	PA115-116	Spring no return valve
HR161-014	Pipe fitting "L"	PA100-054	Nut	PA115-119	Piston no return valve
HR176-002	Closure plug	PA100-060	Maintaining valve complete	VB008-080	Screw
HR701-012	Washer	PA100-201	Filter cartridge - electric	VR006-015	Washer spring
OR002-005	O-ring	PA100-202	Filter cartridge - gasoline	VV005-015	Sphere
OR003-005	O-ring	PA100-213	Filter housing		
OR009-005	O-ring	PA100-114	Head filter housing		
OR009-010	O-ring	PA100-115	Nozzle		
OR011-004	O-ring	PA100-117	Base filter		



CODE	DESCRIPTION	CODE	DESCRIPTION	CODE	DESCRIPTION
AT140-001	Drain valve housing	OR025-005	O-ring	PA100-123	Extension filter
AT140-100	Condensate drain valve complete	OR066-010	O-ring	PA100-149	Pipe fitting whit not return valve
AT141-001	Rilsan nut	OR068-005	O-ring	PA110-102	Safety valve PN 200 bar
AT142-001	Black screw of discharge	PA100-050	Maintaining valve insert	PA110-103	Safety valve PN 300 bar
AT142-002	Drain out	PA100-051	Piston maintaining valve	PA114-047	Connection
HR101-004	Oqive	PA100-052	Spring guide	PA114-148	Connection
HR102-014	Nut fitting pipe	PA100-053	Closure plug	PA115-116	Spring no return valve
HR161-014	Pipe fitting "L"	PA100-054	Nut	PA115-119	Piston no return valve
HR176-002	Closure plua	PA100-060	Maintaining valve complete	VB008-080	Screw
HR701-012	Washer	PA100-301	Filter cartridge - electric	VR006-015	Washer spring
OR002-005	O-ring	PA100-302	Filter cartridge - gasoline	VV005-015	Sphere
OR003-005	O-ring	PA100-313	Filter housing		
OR009-005	O-ring	PA100-114	Head filter housing		
OR009-010	O-ring	PA100-115	Nozzle		
OR011-004	O-ring	PA100-117	Base filter		

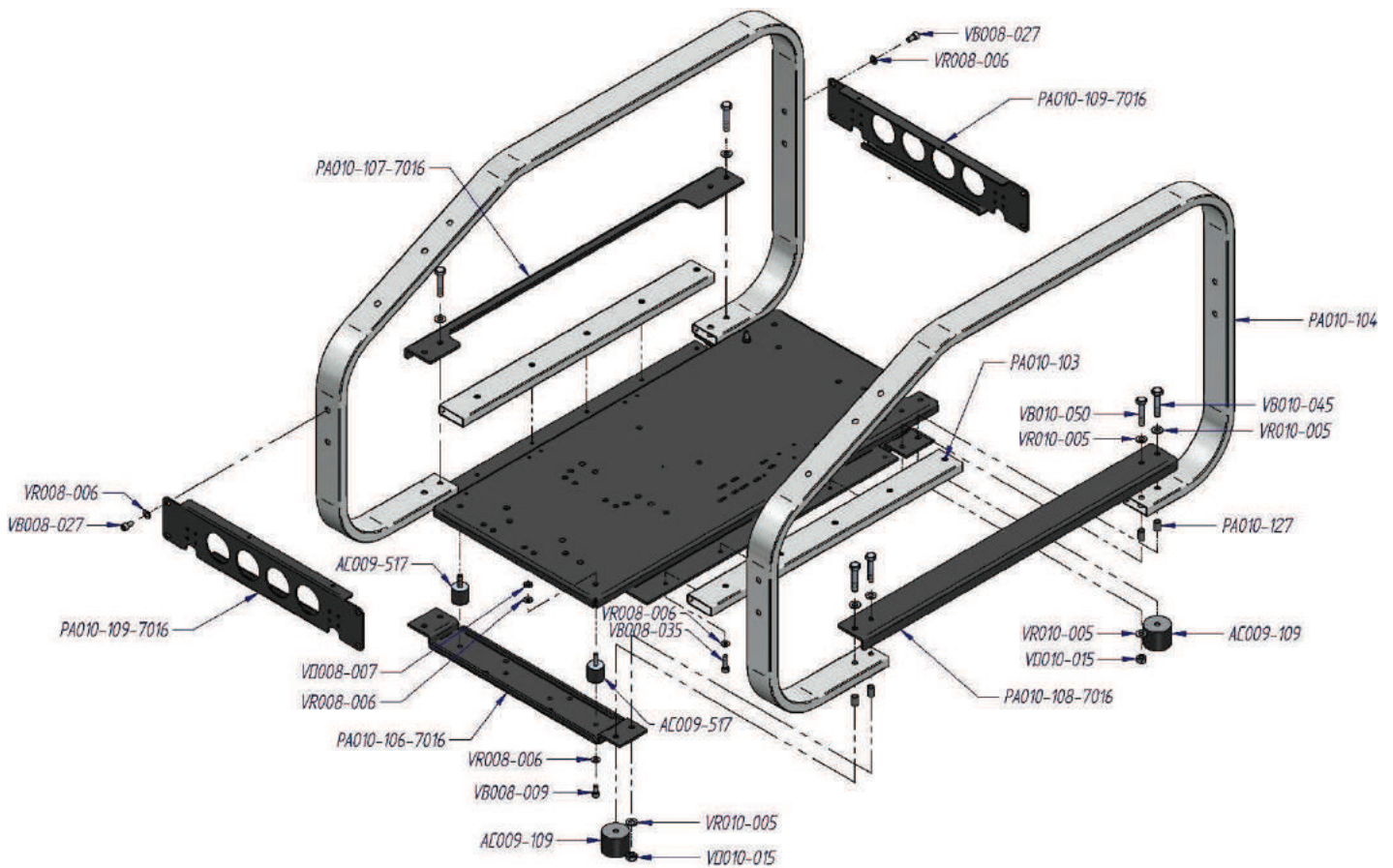


CODE	DESCRIPTION	CODE	DESCRIPTION	CODE	DESCRIPTION
MPA001-100	Electric motor 7,5 Hp	PA098-224-00	Pulley	VB010-010	Screw
PA003-011	Tube	PA099-248	Belt	VD008-012	Nut
PA003-102	Tube	PA099-250	Belt	VD010-015	Nut
PA003-101	Tube	VB006-016	Screw	VR006-002	Washer
PA010-005	Cover fan	VB006-031	Screw	VR006-004	Washer
PA010-006	Metal Cover fan	VB008-014	Screw	VR008-006	Washer
PA010-100-7016	Frame	VB008-051	Screw	VR010-005	Washer
PA098-190-00	Pulley	VB010-008	Screw		

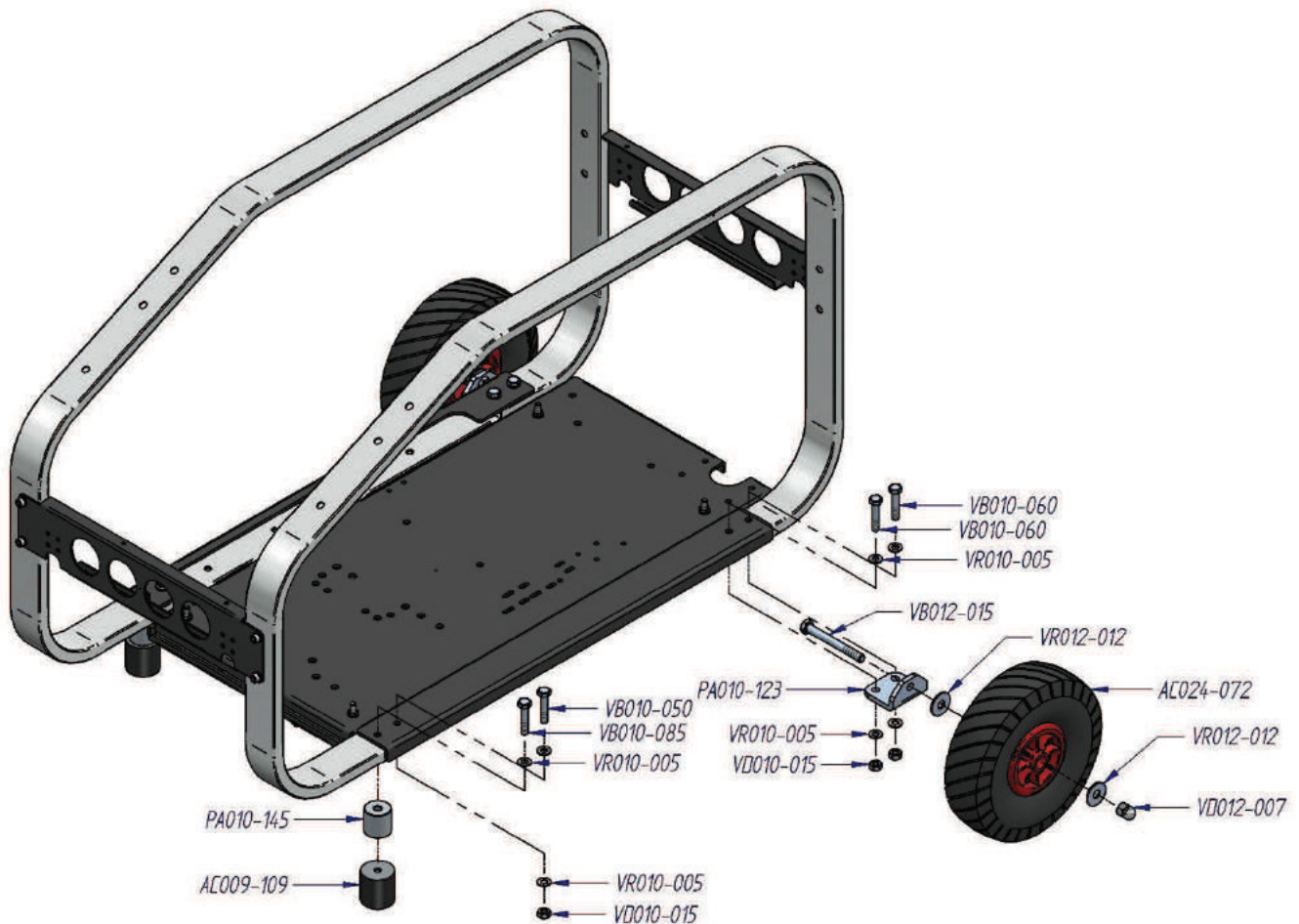


CODE	DESCRIPTION	CODE	DESCRIPTION	CODE	DESCRIPTION
AC009-105	Antivibration	PA010-116	Support	VB010-010	Screw
MPA003-001	Gasoline engine manual	PA010-117	Support	VB010-014	Screw
MPA003-002	Gasoline engine automatic	PA098-170-00	Pulley	VD008-012	Nut
PA003-011	Tube	PA099-250	Belt	VD010-015	Nut
PA003-101	Tube	VB006-016	Screw	VR006-002	Washer
PA003-102	Tube	VB006-031	Screw	VR006-004	Washer
PA010-005	Cover fan	VB008-014	Screw	VR008-006	Washer
PA010-006	Metal Cover fan	VB008-051	Screw	VR010-005	Washer
PA010-100-7016	Frame	VB010-007	Screw		

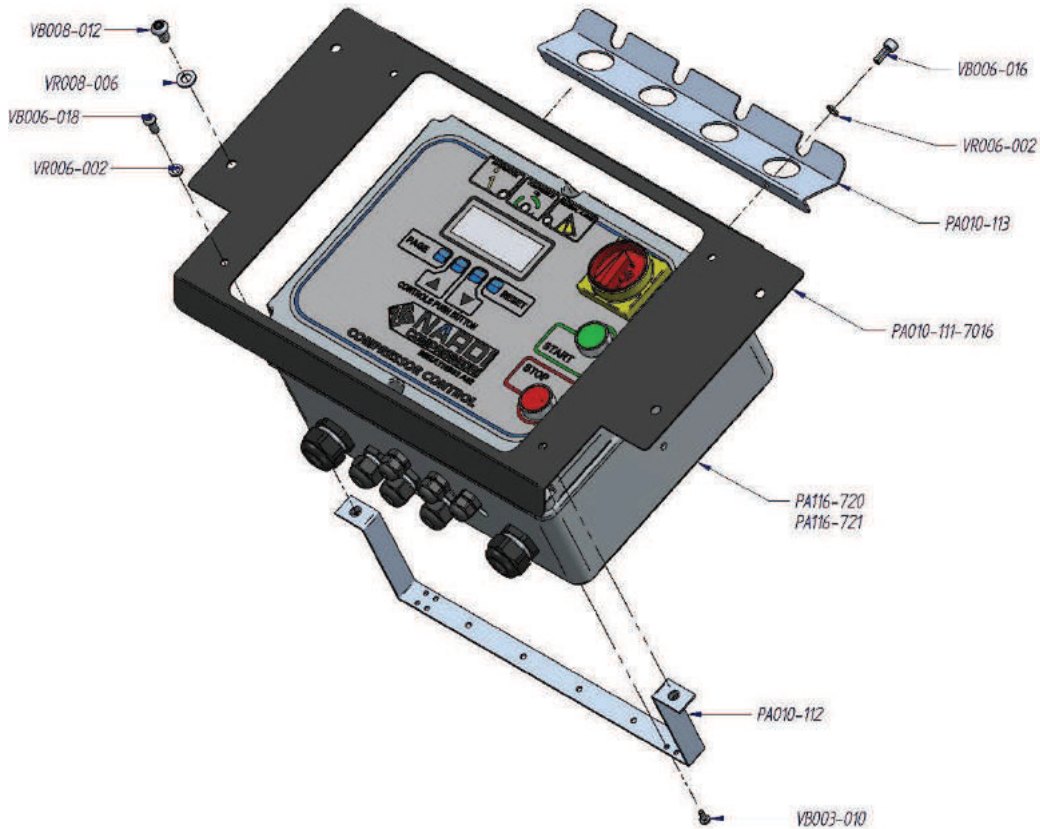




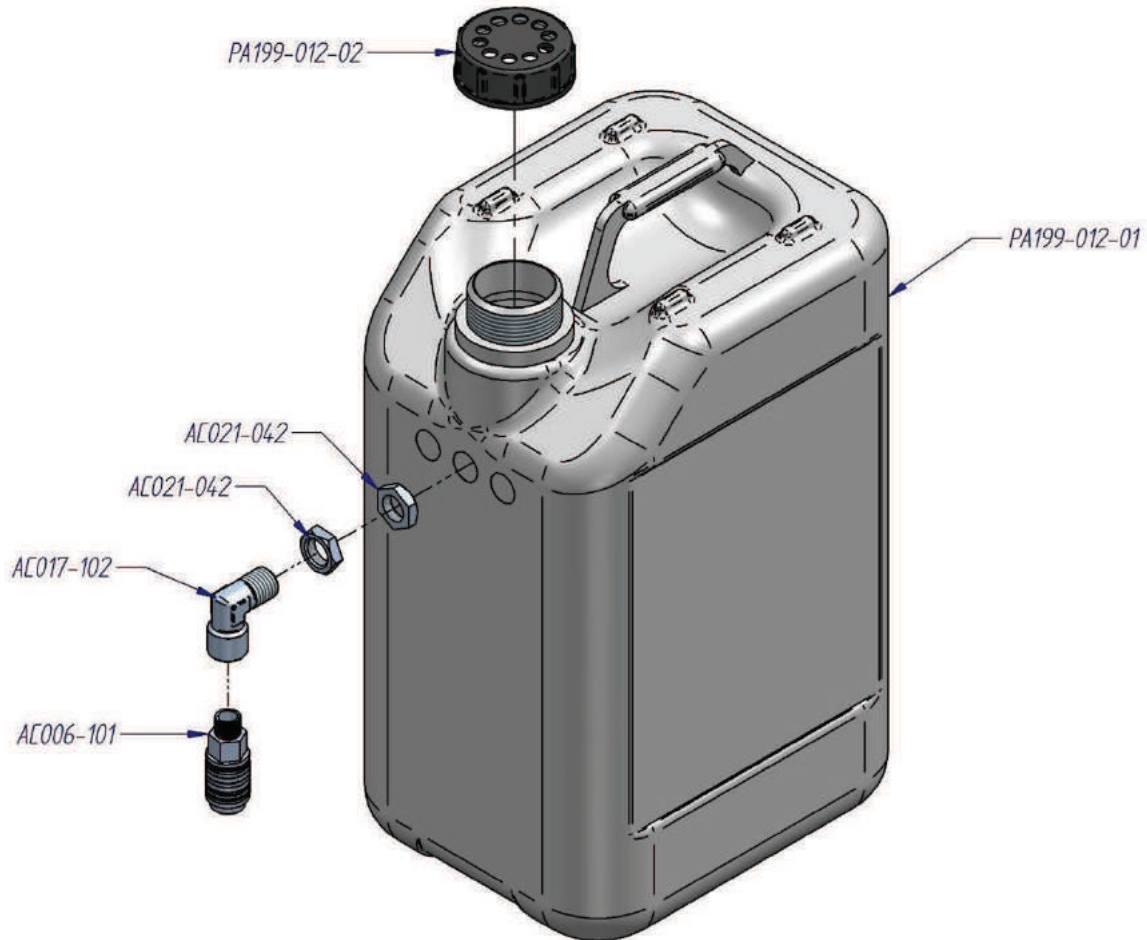
CODE	DESCRIPTION	CODE	DESCRIPTION	CODE	DESCRIPTION
AC009-109	Plug with thread	PA010-109-7016	Frame	VD008-007	Nut
AC009-517	No-vibration rubber	PA010-127	Washer	VD010-015	Nut
PA010-103	Frame	VB008-009	Screw	VR008-006	Washer
PA010-104	Frame	VB008-027	Screw	VR010-009	Washer
PA010-106-7016	Frame	VB008-035	Screw		
PA010-107-7016	Frame	VB010-045	Screw		
PA010-108-7016	Frame	VB010-050	Screw		



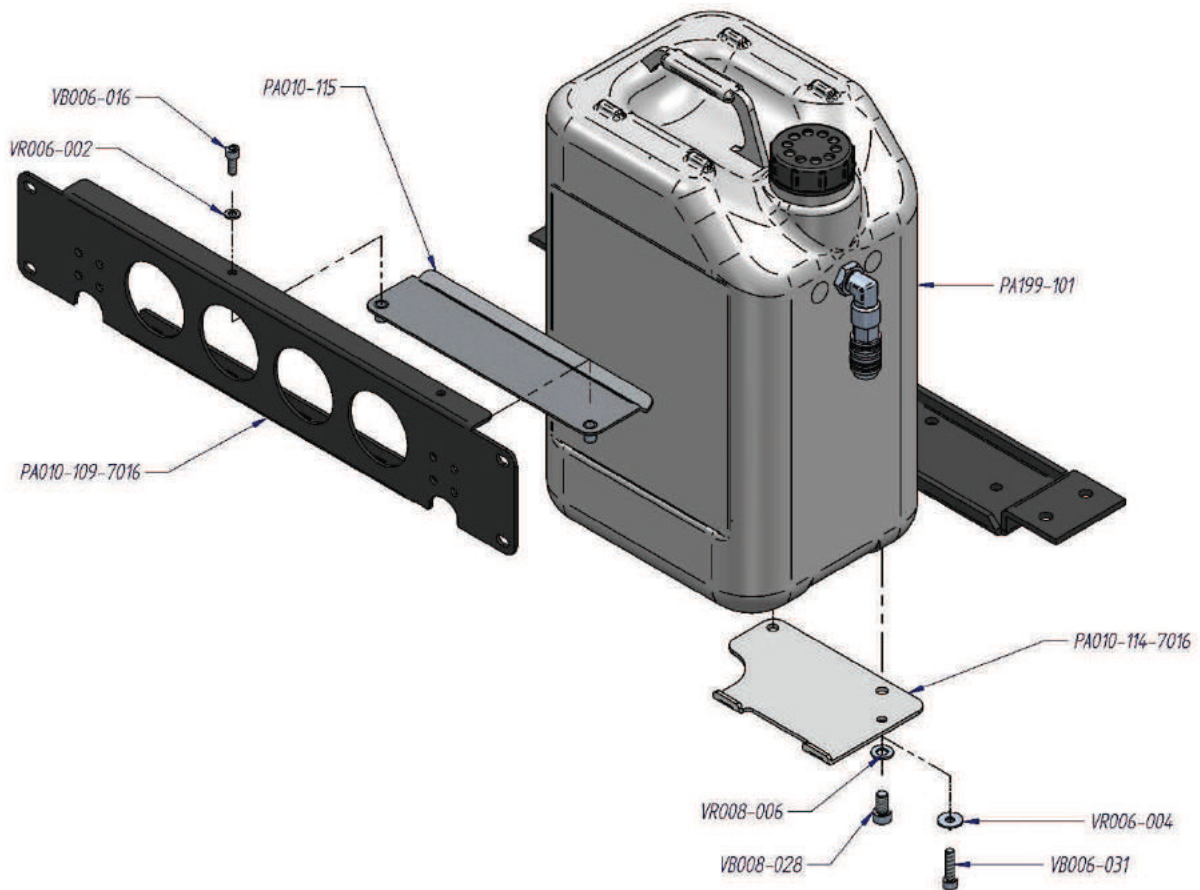
CODE	DESCRIPTION	CODE	DESCRIPTION	CODE	DESCRIPTION
AC009-109	Plug with thread	VB010-050	Screw	VD012-007	Nut
AC024-072	Wheel	VB010-060	Screw	VR010-005	Washer
PA010-123	Support	VB010-085	Screw	VR012-012	Washer
PA010-145	Washer	VB012-015	Screw		



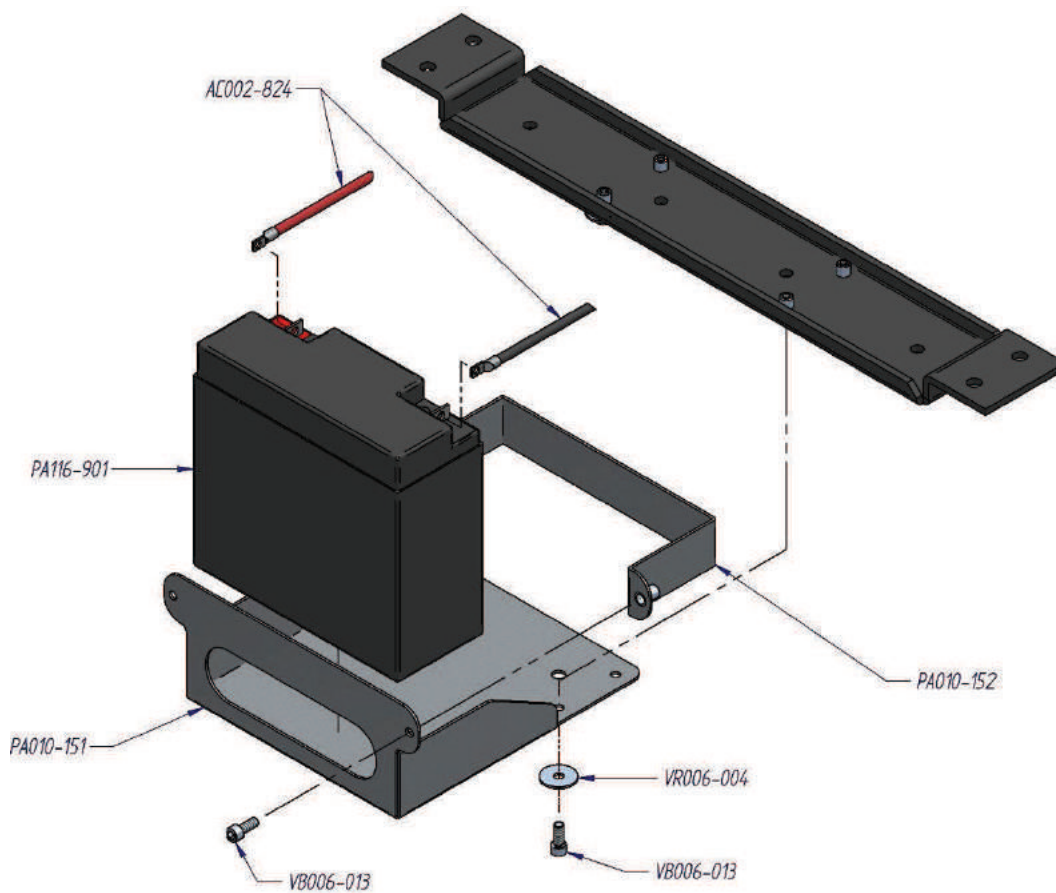
CODE	DESCRIPTION	CODE	DESCRIPTION	CODE	DESCRIPTION
PA010-111	Support	VB003-010	Screw	VR008-006	Washer
PA010-112	Support	VB006-016	Screw		
PA010-113	Support	VB006-018	Screw		
PA116-721	Electrical box	VB008-012	Screw		
PA116-721	Electrical box whit soft-start	VR006-002	Washer		



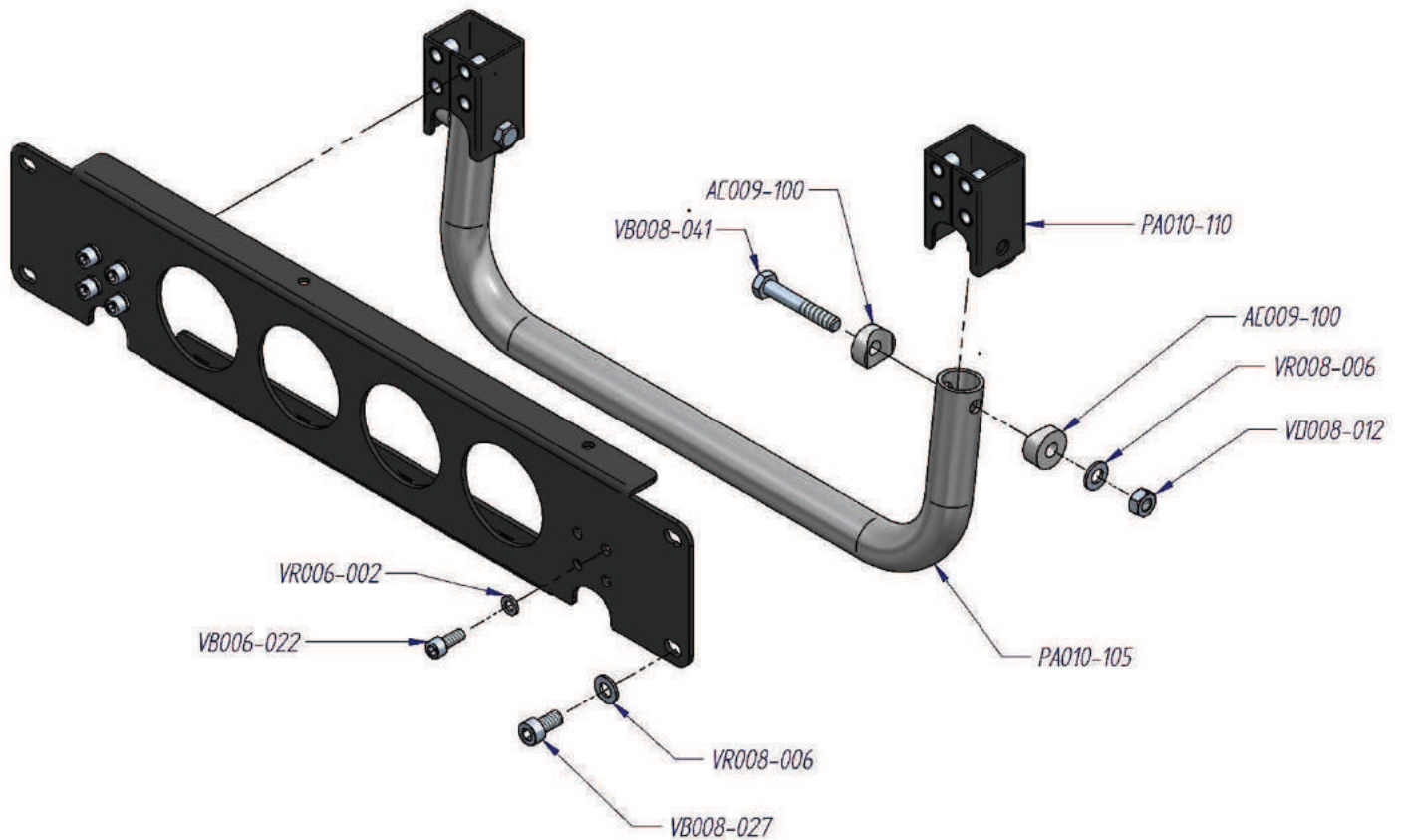
CODE	DESCRIPTION	CODE	DESCRIPTION	CODE	DESCRIPTION
AC006-101	Universal Coupler	AC021-042	Nut	PA199-012-02	Cover
AC017-102	Pipe fitting "L"	PA199-012-01	Tank		



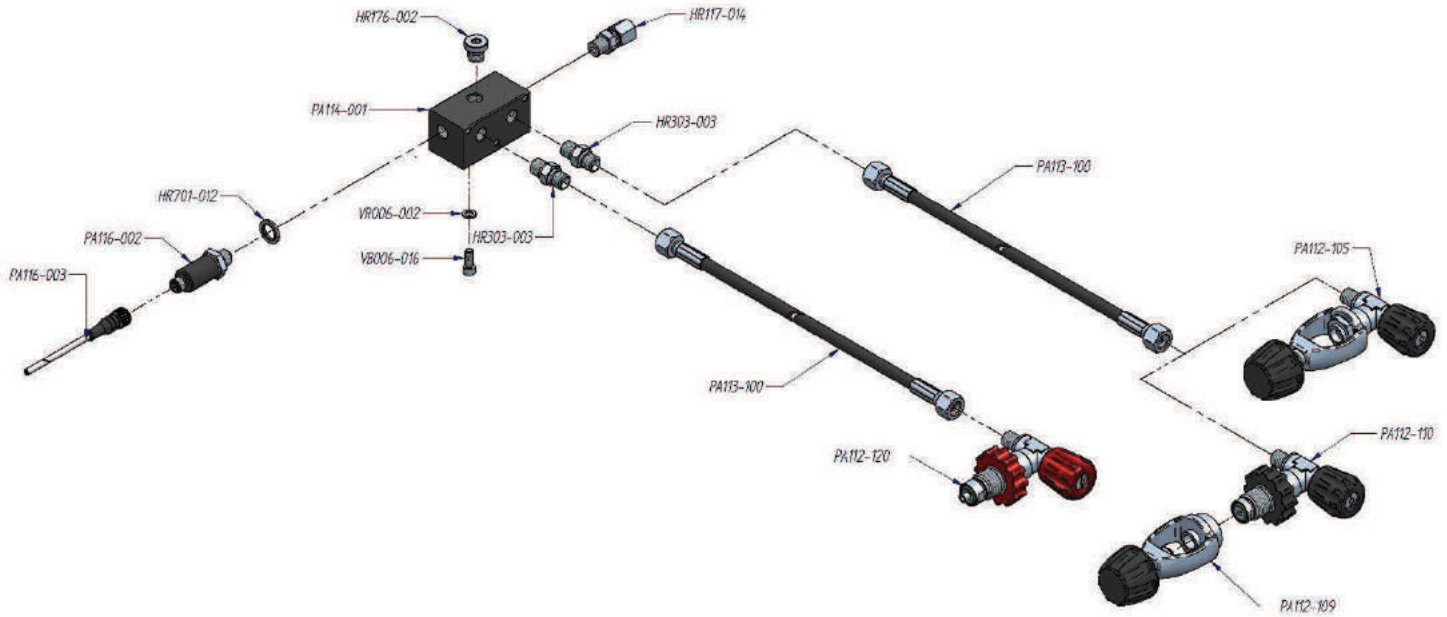
CODE	DESCRIPTION	CODE	DESCRIPTION	CODE	DESCRIPTION
PA010-109-7016	Frame	VB006-031	Screw	VR008-006	Washer
PA010-114-7016	Frame	VB008-028	Screw		
PA199-101	Eco-friendly – Tank	VR006-002	Washer		
VB006-016	Screw	VR006-004	Washer		



CODE	DESCRIPTION	CODE	DESCRIPTION	CODE	DESCRIPTION
AC002-824	Cable	PA010-152	Frame	VB006-013	Screw
PA010-151	Frame	PA116-901	Frame	VR006-004	Washer

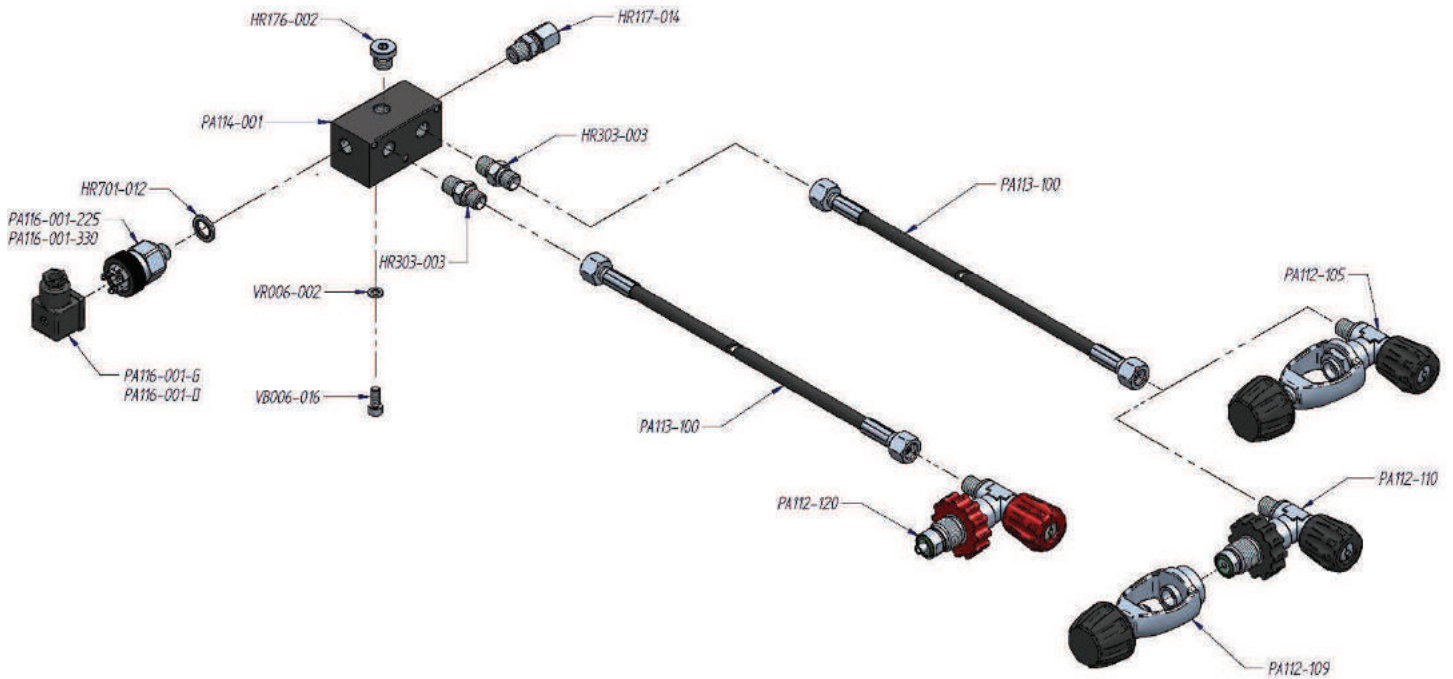


CODE	DESCRIPTION	CODE	DESCRIPTION	CODE	DESCRIPTION
AC009-100	Flange	VB008-027	Screw	VR008-006	Washer
PA010-105	Handle	VB008-041	Screw		
PA010-110	Support	VD008-012	Nut		
VB006-022	Screw	VR006-002	Washer		

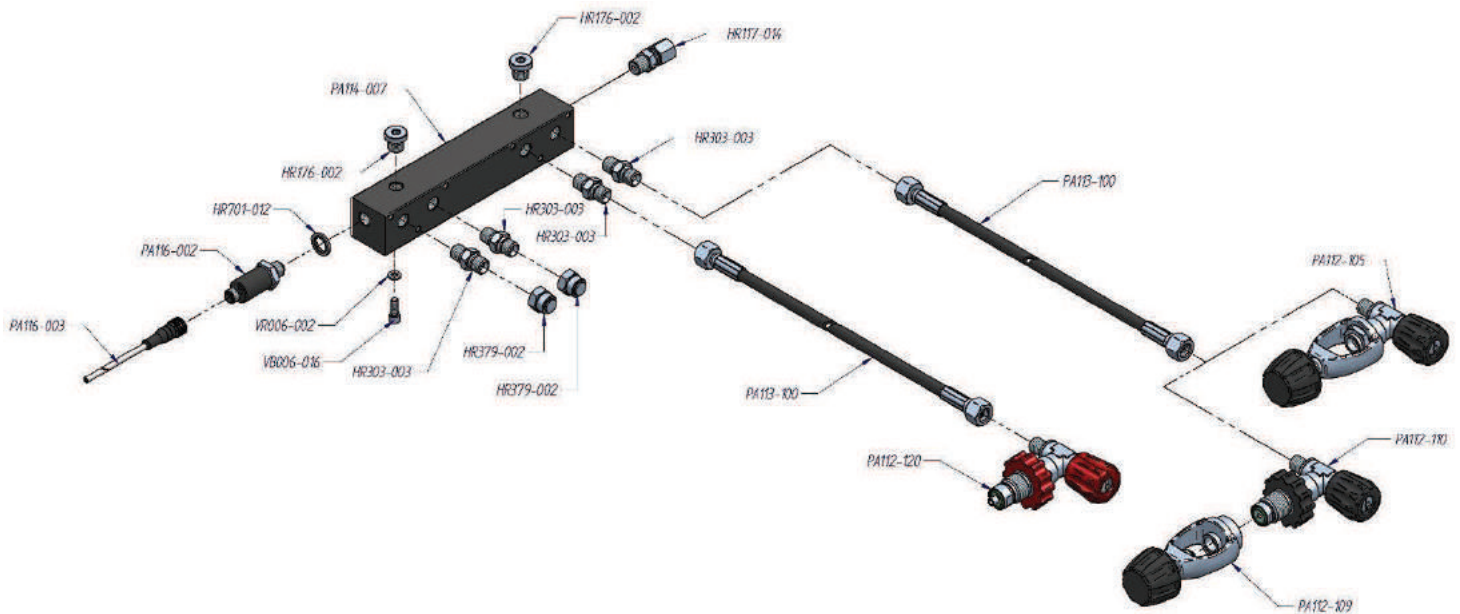


CODE	DESCRIPTION	CODE	DESCRIPTION	CODE	DESCRIPTION
HR117-014	Pipe fitting	PA112-105	Fitting valve INT 200	PA116-002	Trasductor
HR176-002	Closing plug	PA112-110	Fitting valve DIN 200	PA116-003	Cable for trasductor
HR303-003	Connection	PA112-120	Fitting valve DIN 300	VB006-016	Screw
HR701-012	Washer	PA113-100	Fitting hose		
PA112-109	Adapter DIN 200 / INT-CGA 200 Bar - YOKE	PA114-001	Distridutor 2 exit		

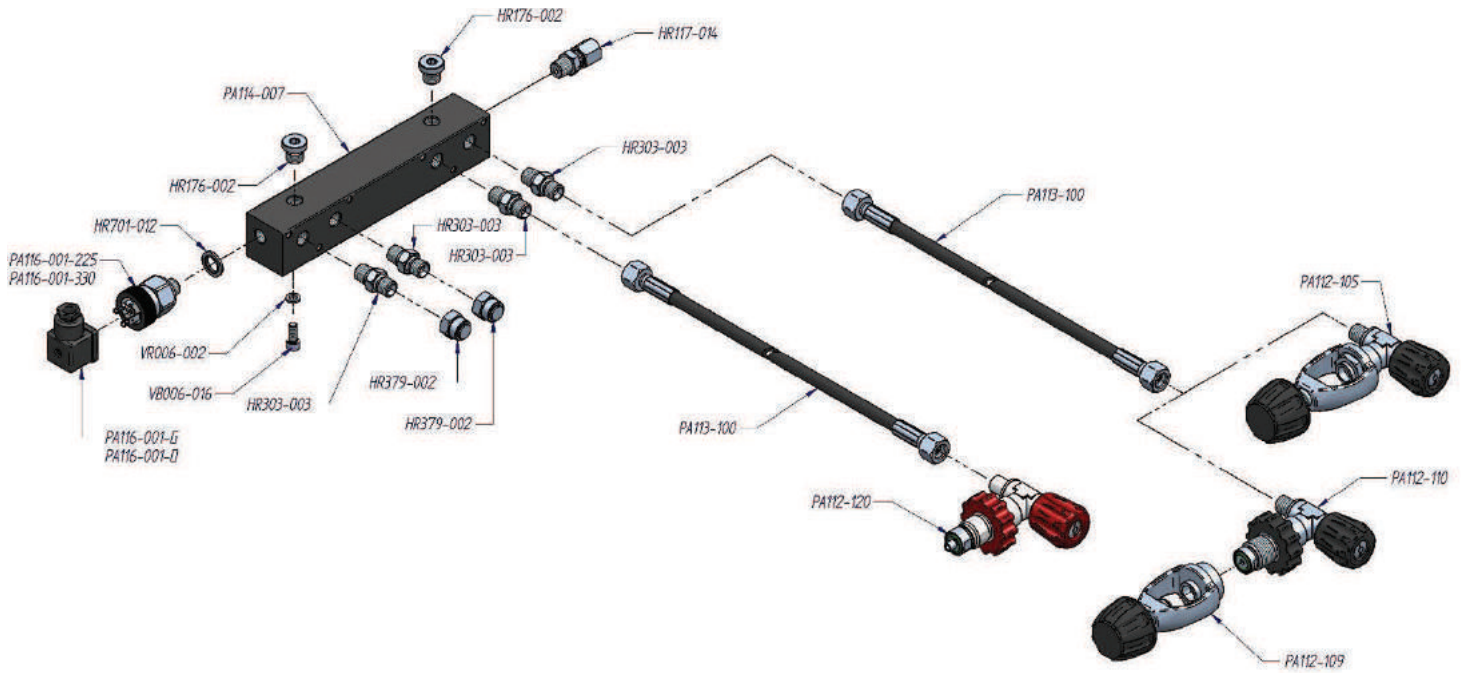




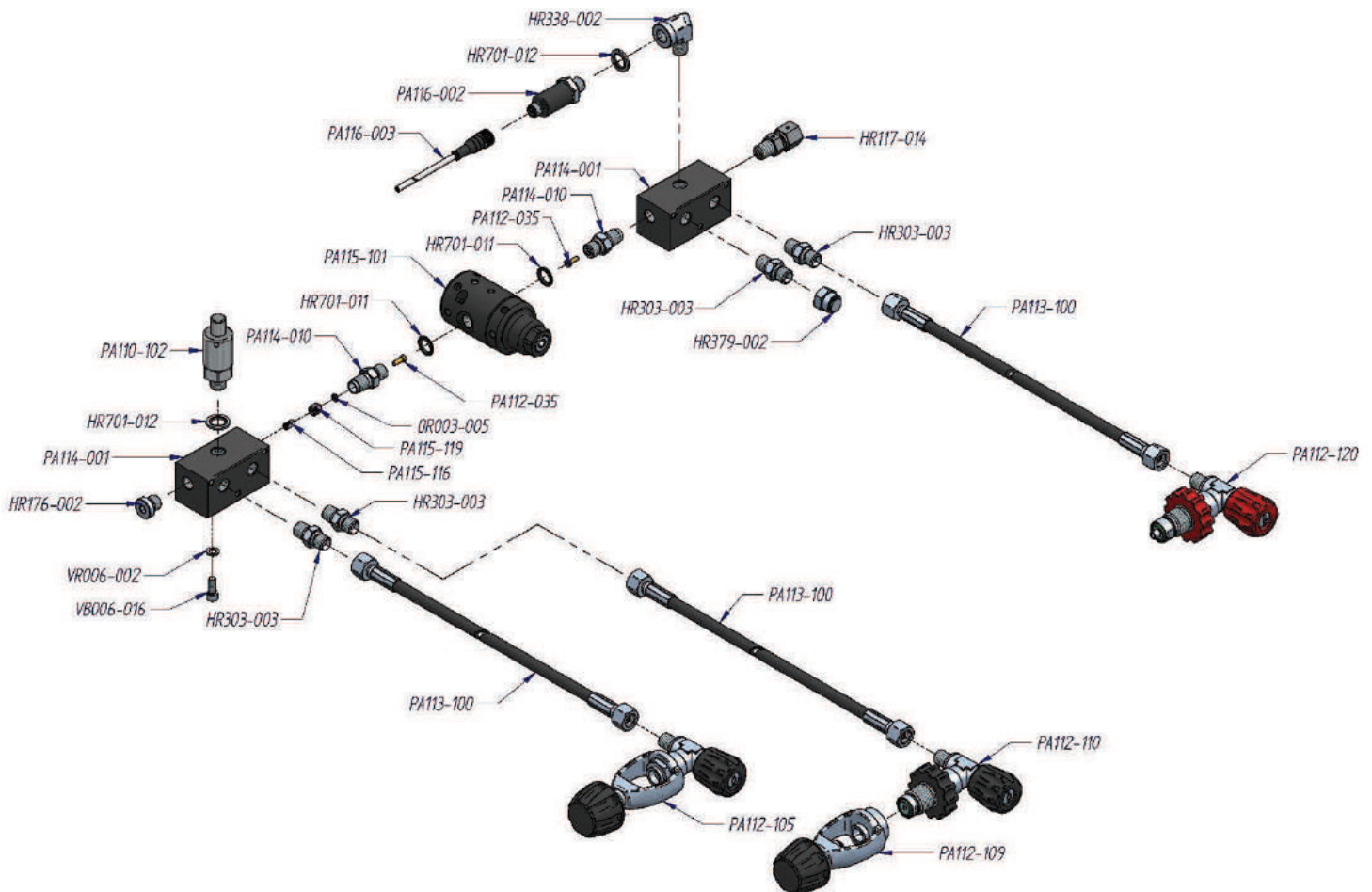
CODE	DESCRIPTION	CODE	DESCRIPTION	CODE	DESCRIPTION
HR117-014	Pipe fitting	PA112-105	Fitting valve INT 200	PA116-001-225	Pressure swich 225 bar
HR176-002	Clousing plug	PA112-110	Fitting valve DIN 200	PA116-001-330	Pressure swich 225 bar
HR303-003	Connection	PA112-120	Fitting valve DIN 300	PA116-001-D	Connector with cable for Diesel
HR701-012	Washer	PA113-100	Fitting hose	PA116-001-G	Connector with cable for Gasoline
PA112-109	Adapter DIN 200 / INT-CGA 200 Bar - YOKE	PA114-001	Distridutor 2 exit	VB006-016	Screw



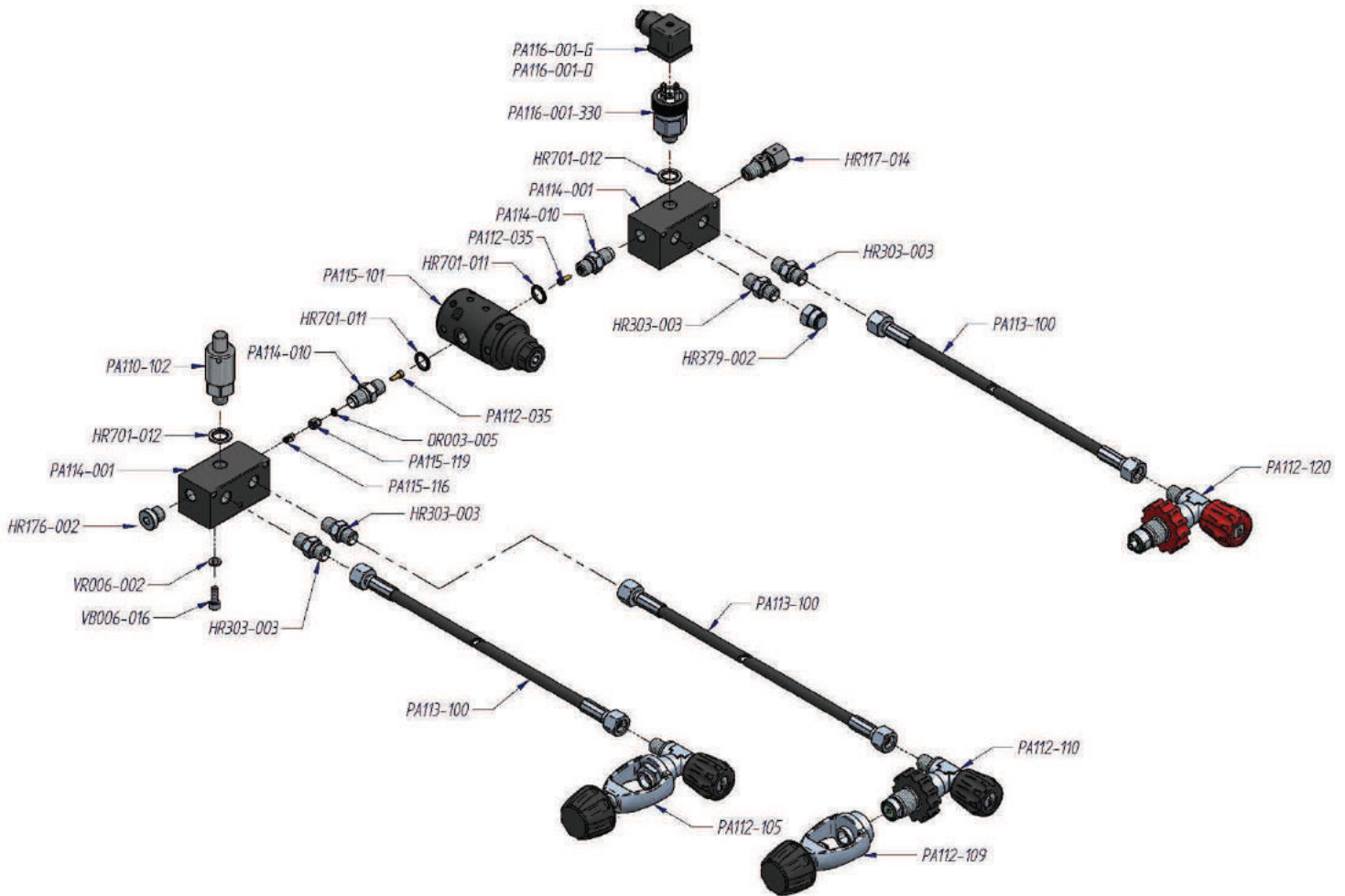
CODE	DESCRIPTION	CODE	DESCRIPTION	CODE	DESCRIPTION
HR117-014	Pipe fitting	PA112-109	Adapter DIN 200 / INT-CGA 200 Bar - YOKE	PA114-007	Distridutor 4 exit
HR176-002	Closing plug	PA112-105	Fitting valve INT 200	PA116-002	Trasductor
HR303-003	Connection	PA112-110	Fitting valve DIN 200	PA116-003	Cable for trasductor
HR379-002	Closing plug	PA112-120	Fitting valve DIN 300	VB006-016	Screw
HR701-012	Washer	PA113-100	Fitting hose		



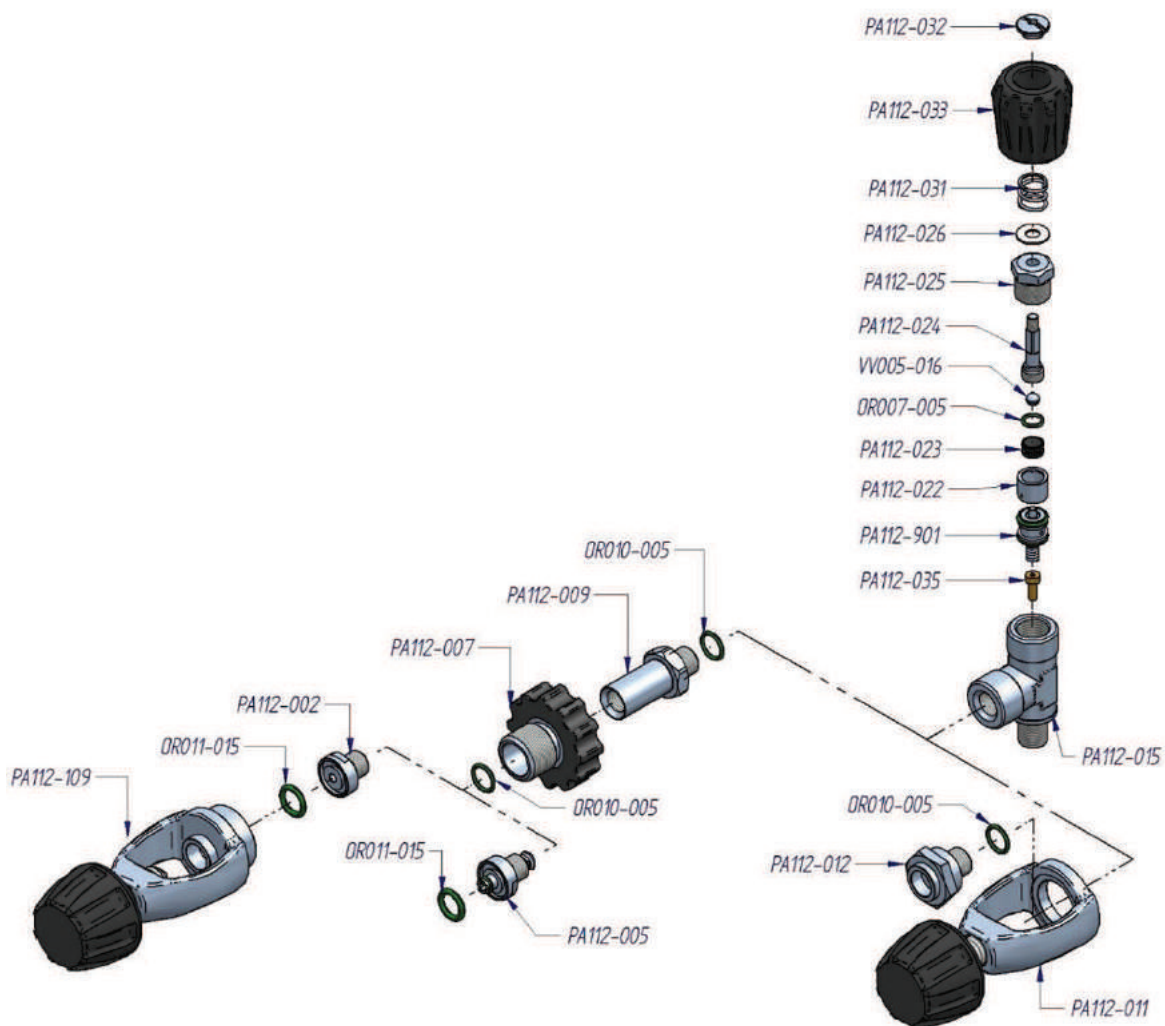
CODE	DESCRIPTION	CODE	DESCRIPTION	CODE	DESCRIPTION
HR117-014	Pipe fitting	PA112-105	Fitting valve INT 200	PA116-001-330	Pressure swich 225 bar
HR176-002	Closing plug	PA112-110	Fitting valve DIN 200	PA116-001-D	Connector with cable for Gasoline
HR303-003	Connection	PA112-120	Fitting valve DIN 300	PA116-001-G	Connector with cable for Diesel
HR379-002	Closing plug	PA113-100	Fitting hose	VB006-016	Screw
HR701-012	Washer	PA114-007	Distridutor 4 exit		
PA112-109	Adapter DIN 200 / INT-CGA 200 Bar - YOKE	PA116-001-225	Pressure swich 225 bar		



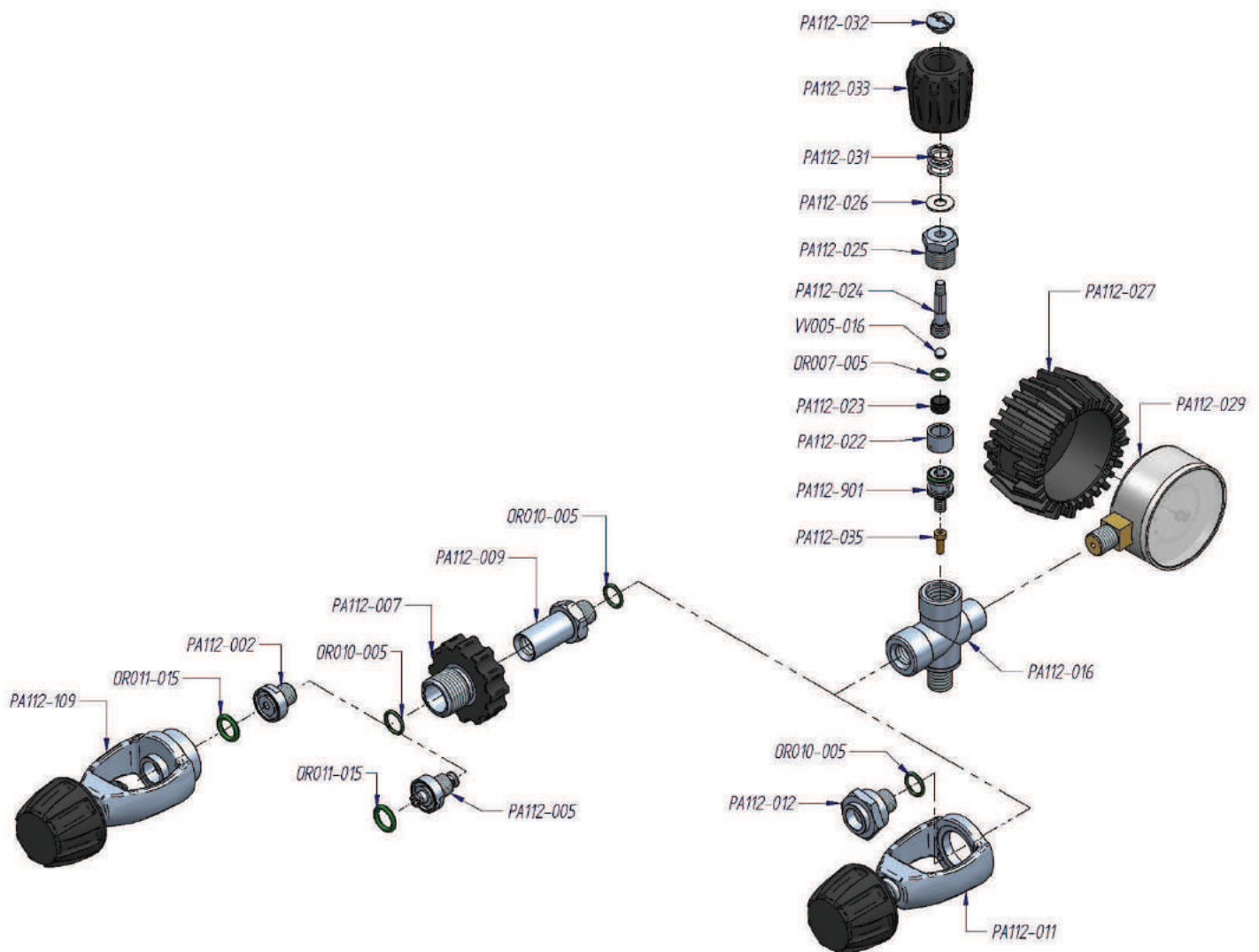
CODE	DESCRIPTION	CODE	DESCRIPTION	CODE	DESCRIPTION
HR117-014	Pipe fitting	PA112-035	Filter	PA115-101	Reducer high pressure
HR176-002	Closing plug	PA112-105	Fitting valve INT 200	PA115-116	Spring no return valve
HR303-003	Connection	PA112-109	Adapter DIN 200 / INT-CGA 200 Bar - YOKE	PA115-119	Piston no return valve
HR338-002	Pipe fitting "L"	PA112-105	Fitting valve INT 200	PA116-002	Trasductor
HR379-002	Closing plug	PA112-110	Fitting valve DIN 200	PA116-003	Cable for trasductor
HR701-011	Washer	PA112-120	Fitting valve DIN 300	VB006-016	Screw
HR701-012	Washer	PA113-100	Fitting hose		
OR003-005	O-ring	PA114-001	Distridutor 2 exit		
PA110-102	Safety valve PN 200 bar	PA114-010	Connection		



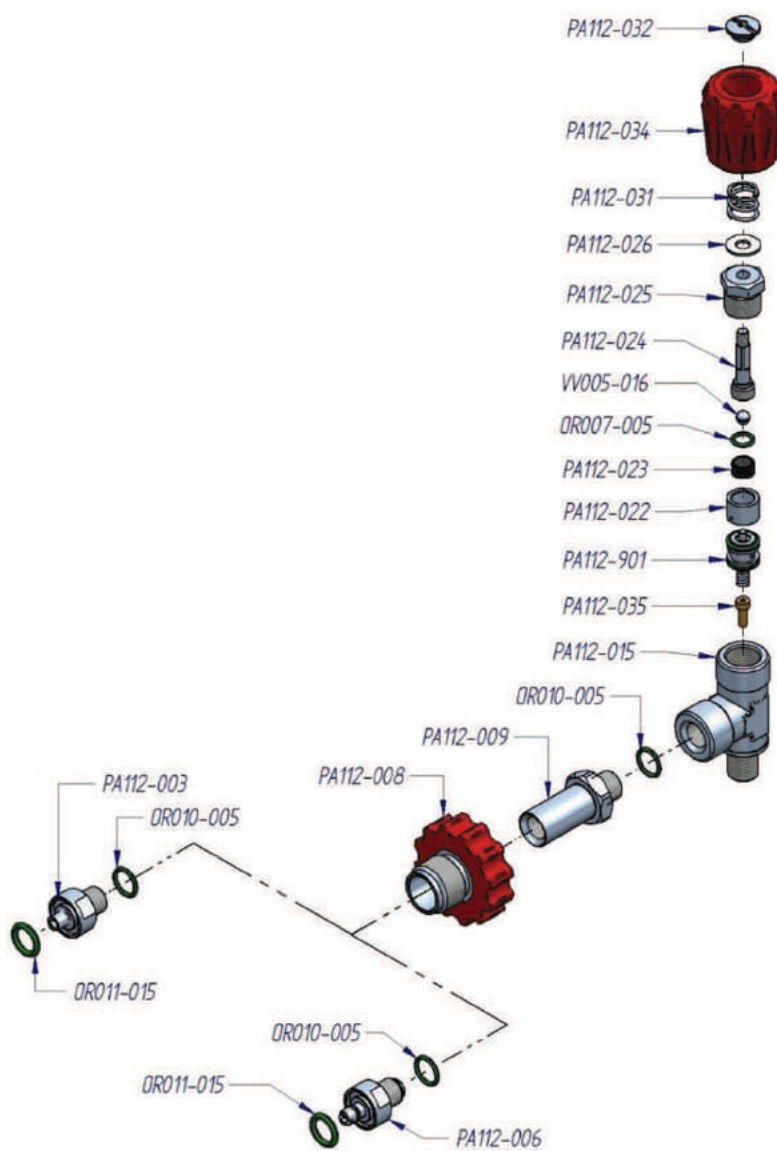
CODE	DESCRIPTION	CODE	DESCRIPTION	CODE	DESCRIPTION
HR117-014	Pipe fitting	PA112-035	Filter	PA115-101	Reductor high pressure
HR176-002	Closing plug	PA112-105	Fitting valve INT 200	PA115-116	Spring no return valve
HR303-003	Connection	PA112-109	Adapter DIN 200 / INT-CGA 200 Bar - YOKE	PA115-119	Piston no return valve
HR338-002	Pipe fitting "L"	PA112-105	Fitting valve INT 200	PA116-001-330	Pressure swich 225 bar
HR379-002	Closing plug	PA112-110	Fitting valve DIN 200	PA116-001-D	Connector with cable for Diesel
HR701-011	Washer	PA112-120	Fitting valve DIN 300	PA116-001-G	Connector with cable for Gasoline
HR701-012	Washer	PA113-100	Fitting hose	VB006-016	Screw
OR003-005	O-ring	PA114-001	Distridutor 2 exit		
PA110-102	Safety valve PN 200 bar	PA114-010	Connection		



CODE	DESCRIPTION	CODE	DESCRIPTION	CODE	DESCRIPTION
OR007-005	O-ring	PA112-012	Bracket blocks INT-CGA	PA112-032	Nut
OR010-005	O-ring	PA112-015	Body valve	PA112-033	Rubber knob black 200 bar
OR011-015	O-ring	PA112-022	Cylindrical guide	PA112-035	Filter
PA112-002	Fitting connection 200 BAR	PA112-023	Piston valve insert	PA112-109	International connection INT-CGA
PA112-005	Fitting connection 200 BAR flow stop	PA112-024	Valve shaft	PA112-901	Kit pressure valve
PA112-007	Knob DIN 200 black	PA112-025	Closure nut	VV005-015	Sphere
PA112-009	Knob guide DIN 200	PA112-026	Washer		
PA112-011	International connection INT-CGA	PA112-031	Spring		

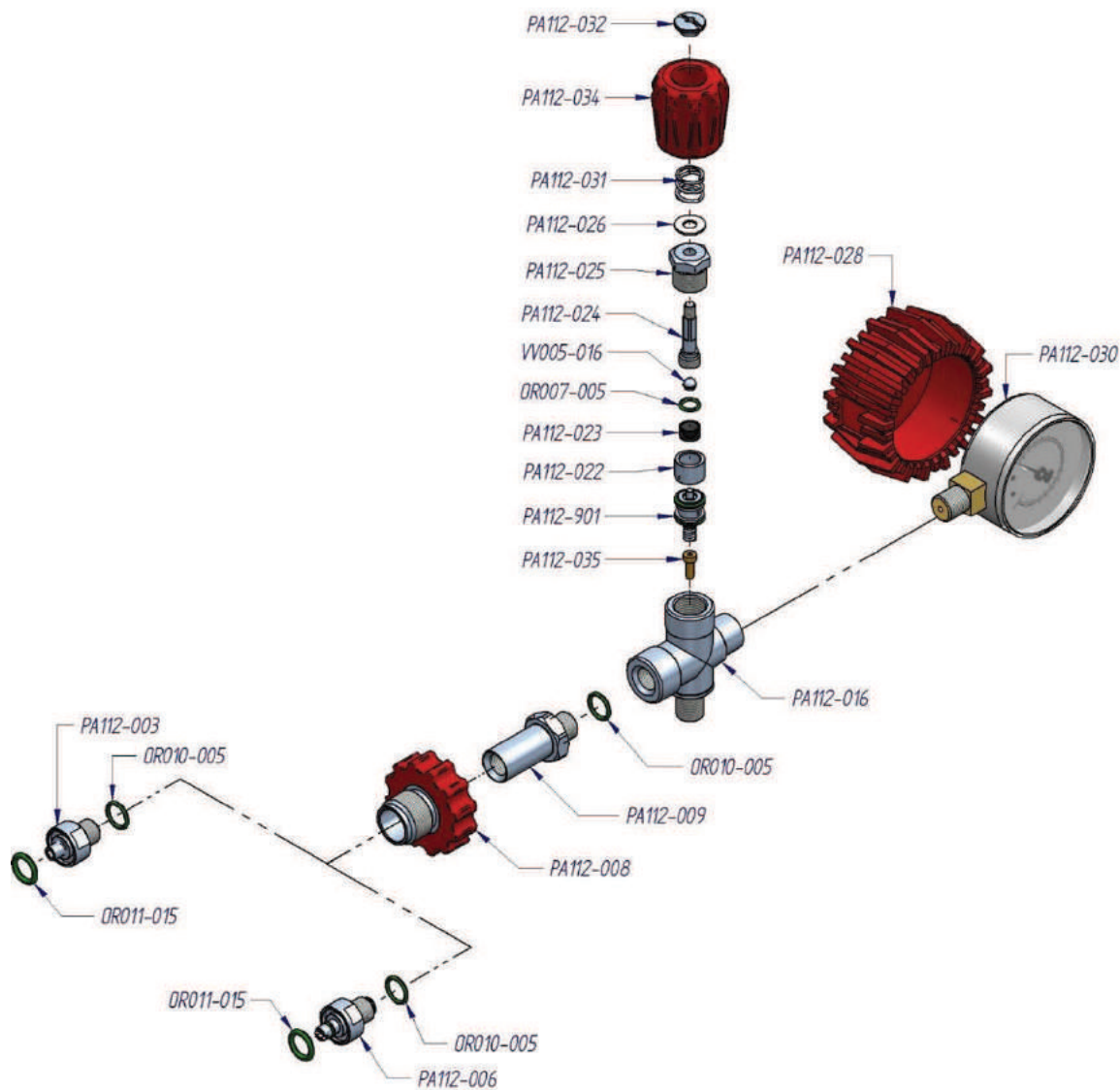


CODE	DESCRIPTION	CODE	DESCRIPTION	CODE	DESCRIPTION
OR007-005	O-ring	PA112-016	Body valve	PA112-032	Nut
OR010-005	O-ring	PA112-022	Cylindrical guide	PA112-033	Rubber knob black 200 bar
OR011-015	O-ring	PA112-023	Piston valve insert	PA112-035	Filter
PA112-002	Fitting connection 200 BAR	PA112-024	Valve shaft	PA112-109	International connection INT-CGA
PA112-005	Fitting connection 200 BAR flow stop	PA112-025	Closure nut	PA112-901	Kit pressure valve
PA112-007	Knob DIN 200 black	PA112-026	Washer	VV005-015	Sphere
PA112-009	Knob guide DIN 200	PA112-027	Protection rubber black 200 BAR		
PA112-011	International connection INT-CGA	PA112-029	Pressure gauge 200 BAR		
PA112-012	Bracket blocks INT-CGA	PA112-031	Spring		

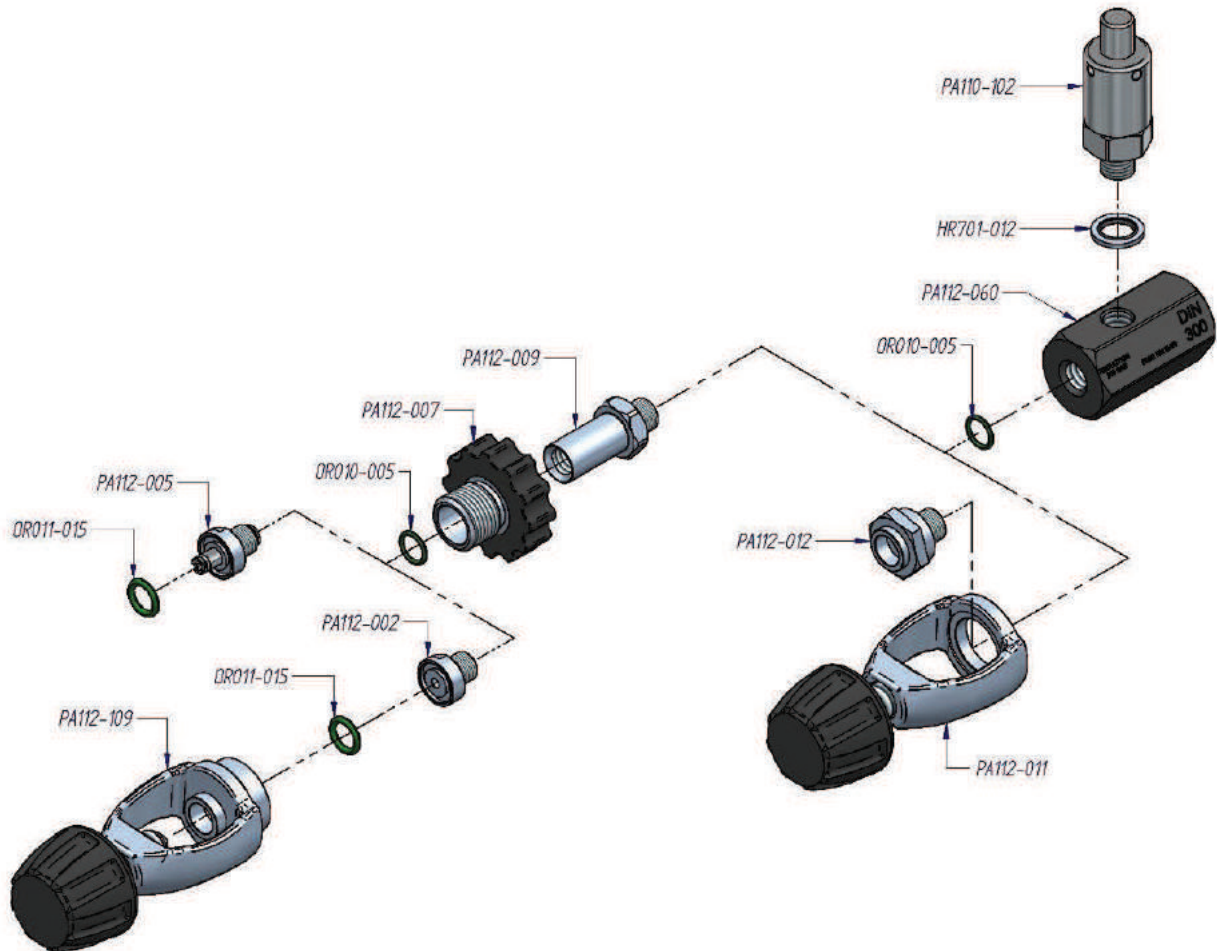


CODE	DESCRIPTION	CODE	DESCRIPTION	CODE	DESCRIPTION
OR007-005	O-ring	PA112-015	Body valve	PA112-032	Nut
OR010-005	O-ring	PA112-022	Cylindrical guide	PA112-034	Rubber knob red 300 bar
OR011-015	O-ring	PA112-023	Piston valve insert	PA112-035	Filter
PA112-003	Fitting connection 300 BAR	PA112-024	Valve shaft	PA112-901	Kit pressure valve
PA112-006	Fitting connection 300 BAR flow stop	PA112-025	Closure nut	VV005-015	Sphere
PA112-008	Knob DIN 300 red	PA112-026	Washer		
PA112-009	Knob guide DIN	PA112-031	Spring		

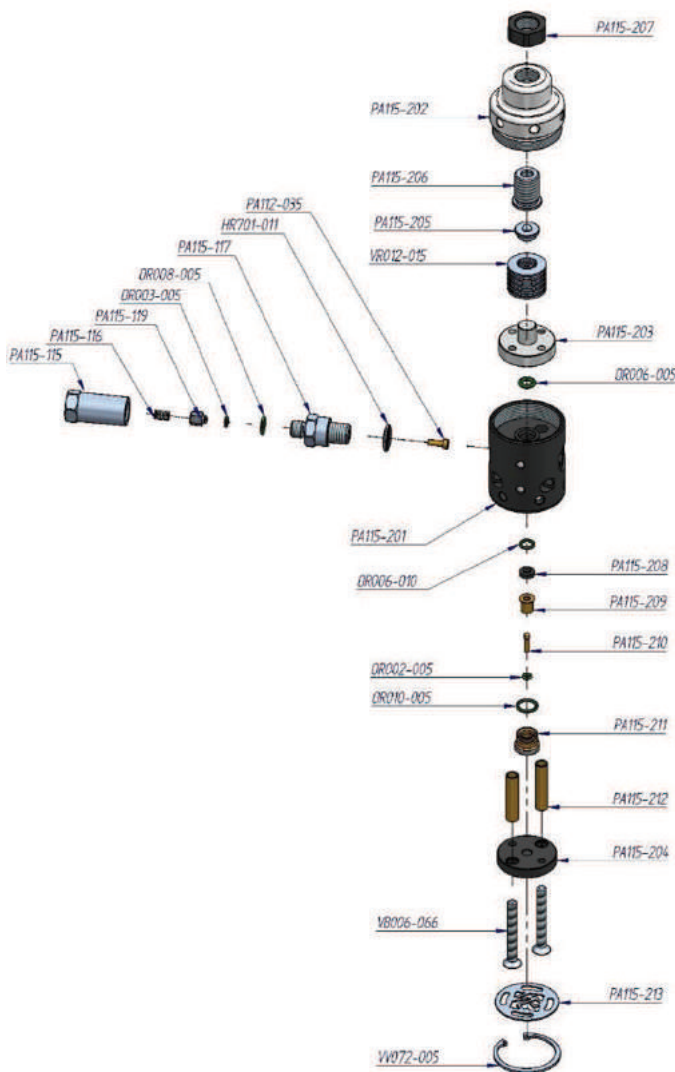




CODE	DESCRIPTION	CODE	DESCRIPTION	CODE	DESCRIPTION
OR007-005	O-ring	PA112-016	Body valve	PA112-030	Pressure gauge 300 BAR
OR010-005	O-ring	PA112-022	Cylindrical guide	PA112-031	Spring
OR011-015	O-ring	PA112-023	Piston valve insert	PA112-032	Nut
PA112-003	Fitting connection 300 BAR	PA112-024	Valve shaft	PA112-034	Rubber knob red 300 bar
PA112-006	Fitting connection 300 BAR flow stop	PA112-025	Closure nut	PA112-035	Filter
PA112-008	Knob DIN 300 red	PA112-026	Washer	PA112-901	Kit pressure valve
PA112-009	Knob guide DIN	PA112-028	Protection rubber red 300 BAR	VV005-015	Sphere



CODE	DESCRIPTION	CODE	DESCRIPTION	CODE	DESCRIPTION
HR701-012	Washer	PA112-005	Fitting connection 200 BAR flow stop	PA112-060	Reduction Body
OR010-005	O-ring	PA112-007	Knob DIN 200 black	PA112-109	International connection INT-CGA
OR011-015	O-ring	PA112-009	Knob guide DIN 200		
PA110-102	Safety valve PN 200 Bar	PA112-011	International connection INT-CGA		
PA112-002	Fitting connection 200 BAR	PA112-012	Bracket blocks INT-CGA		



CODE	DESCRIPTION	CODE	DESCRIPTION	CODE	DESCRIPTION
HR701-011	Washer	PA115-119	Piston no return valve	PA115-211	Flange
OR002-005	O-ring	PA115-201	Body	PA115-212	Cylinder
OR003-005	O-ring	PA115-202	Flange	PA115-213	Flange
OR006-005	O-ring	PA115-203	Flange	VB006-066	Screw
OR006-010	O-ring	PA115-204	Flange	VR012-015	Washer
OR008-005	O-ring	PA115-205	Spring support	VV072-005	Safety ring
OR010-005	O-ring	PA115-206	Screw		
PA112-035	Filter	PA115-207	Nut		
PA115-115	Body no return Valve	PA115-208	Washer		
PA115-116	Spring no return valve	PA115-209	Cylinder		
PA115-117	Body no return valve	PA115-210	Piston		